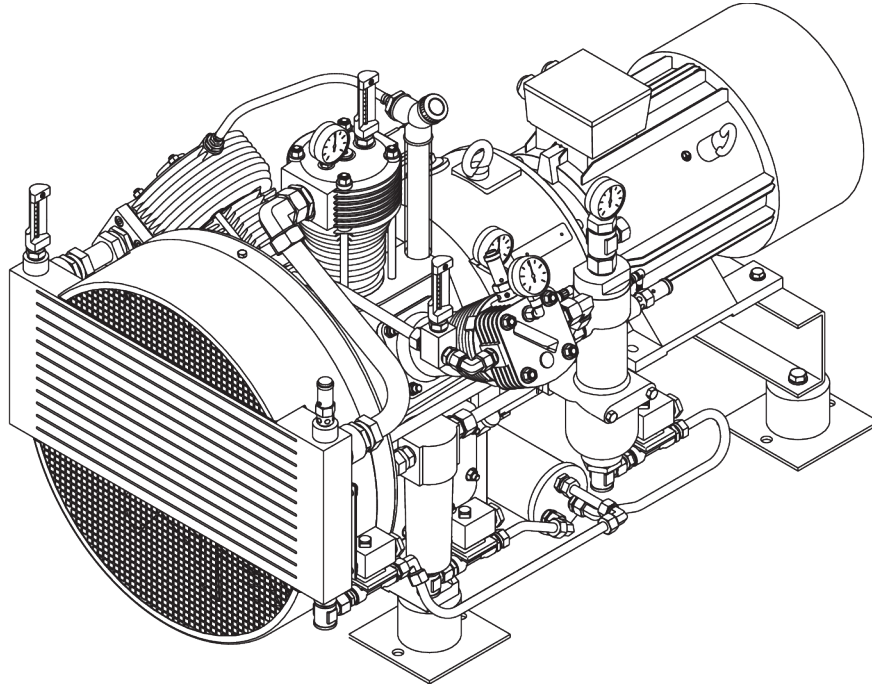




Sauer Compressors



- *High pressure compressor*
- *3-stage*
- *Air-cooled*

SPARE PARTS CATALOGUE

Sauer-Compressors
Type: WP81L
Series: Passat



Sauer Compressors

Translation of the original

Edition: 05 / 2017

Edited by: J.P. Sauer & Sohn Maschinenbau GmbH – Technical Documentation

TABLE OF CONTENTS

Table of contents

1	Foreword	5
2	Layout and content of the spare parts catalogue	7
3	Sauer-Service	9
4	Sauer Easy Service maintenance kits	11
5	Standard assemblies	13
5.1	065203 Compressor unit WP81L.....	14
5.2	064081 Compressor WP81L (1/2).....	16
5.3	064081 Compressor WP81L (2/2).....	18
5.4	064106 Crankcase assembly.....	20
5.5	064064 Dipstick assembly.....	22
5.6	064284 Crankshaft assembly.....	24
5.7	063102 Connecting rod assembly [compression stage 1]..	26
5.8	063103 Connecting rod assembly [compression stage 2]..	28
5.9	062981 Connecting rod assembly [compression stage 3]..	30
5.10	031881 Piston assembly [compression stage 1].....	32
5.11	062525 Piston assembly [compression stage 2].....	34
5.12	064108 Piston assembly [compression stage 3].....	36
5.13	064109 Cylinder assembly [compression stage 1].....	38
5.14	064110 Cylinder assembly [compression stage 2].....	40
5.15	064111 Cylinder assembly [compression stage 3].....	42
5.16	064112 Cooler assembly (1/3).....	44
5.17	064112 Cooler assembly (2/3).....	46
5.18	064112 Cooler assembly (3/3).....	48
5.19	064113 Cooler.....	50
5.20	064114 Cooler [compression stage 3].....	52
5.21	064302 Crankcase vent.....	54
5.22	064105 Condensate separator assembly [compression stage 3].....	56
5.23	063121/* Condensate separator[compression stage 3].....	58
5.24	064119 Oil pump drive.....	60
5.25	092937 Oil pump.....	62
5.26	064458 Automatic drainage system.....	64
5.27	064118/* Compressor monitoring and protection.....	66
5.28	065248/* Anti-vibration resilient mount.....	68
5.29	091318 Condensate collection container.....	70
5.30	064018/* Temperature monitoring unit.....	72
5.31	065478 Drain hose.....	74
6	Optional assemblies	77
6.1	064285 Compressor unit WP81L without condensate col- lection container.....	78
6.2	064269 Automatic drainage system.....	80
6.3	064283/* Anti-vibration resilient mount.....	82
6.4	063391 Compressor terminal box assembly.....	84
6.5	065641 Oil pressure test valve.....	86



7	Optional loose accessories.....	89
7.1	035222 Final pressure switch 2 - 32 bar.....	90
7.2	035223 Final pressure switch 8 - 60 bar.....	92
8	Index.....	95

1

Foreword

The spare parts catalogue contains all maintenance components described in the maintenance instructions, along with other parts that are critical for operation and optional spare parts.



2

Layout and content of the spare parts catalogue

Layout of the spare parts catalogue

The content is sorted by assemblies.

Explanation of captions in spare parts catalogue:

Standard assemblies, optional assemblies, optional loose accessories

The header contains the following information:

- Part number
- Designation of the assembly

Specifications in the parts list

Item no.	Part no.	Designation	Quantity
Item number of the component in the graphical representation	Number under which the component can be ordered from Sauer-Service	Designation of the component	Quantity of this component in the respective assembly



3

Sauer-Service

In case of technical questions and any queries regarding spare parts orders, maintenance and repairs, contact Sauer-Service.

For any enquiries to Sauer-Service, have the following specifications for the Sauer-Compressor to hand:

- Compressor type
- Serial number
- Year of construction

The specifications can be found on the nameplate of the Sauer-Compressor.

Contact

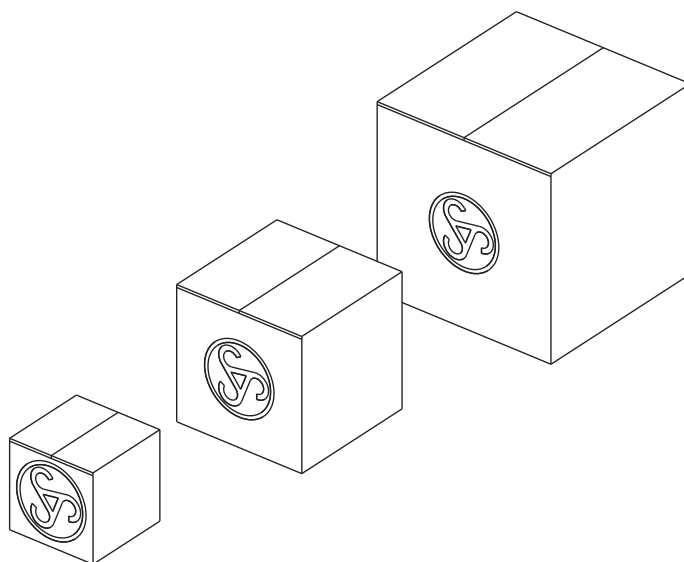


Postal address:	J.P. SAUER & SOHN Maschinenbau GmbH Sauer-Service Postfach 92 13 24157 Kiel, Germany
Telephone (international):	
Technical information:	+49 431 39 40 -87
Spare parts orders:	+49 431 39 40 -86/886
Telefax (international):	+49 431 39 40 -89
Emergency service 24/7 (international):	+49 172 4 14 63 94
E-mail:	service@sauercompressors.de
Web:	www.sauercompressors.com



4

Sauer Easy Service maintenance kits



NOTICE!

The part numbers for the Sauer maintenance kits needed in each case are listed in the maintenance table in the maintenance instructions.



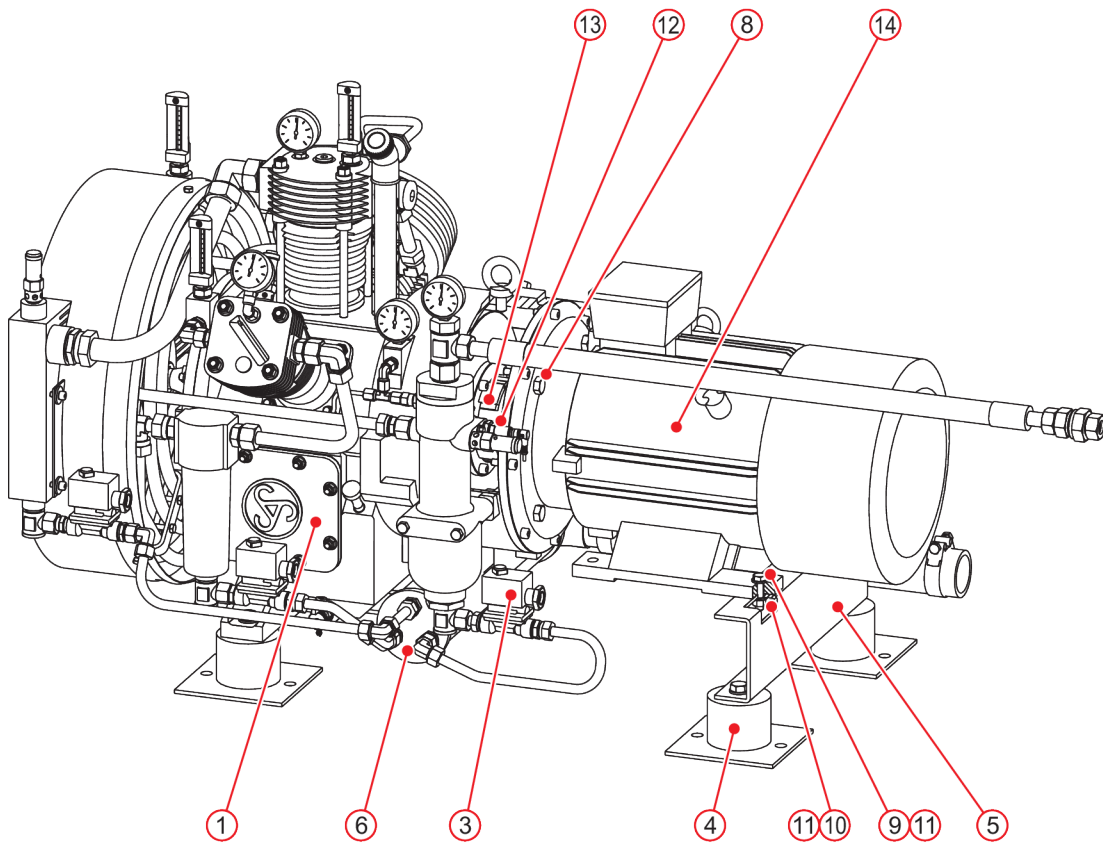
5

Standard assemblies



5.1

065203 Compressor unit WP81L



STANDARD ASSEMBLIES

065203 Compressor unit WP81L

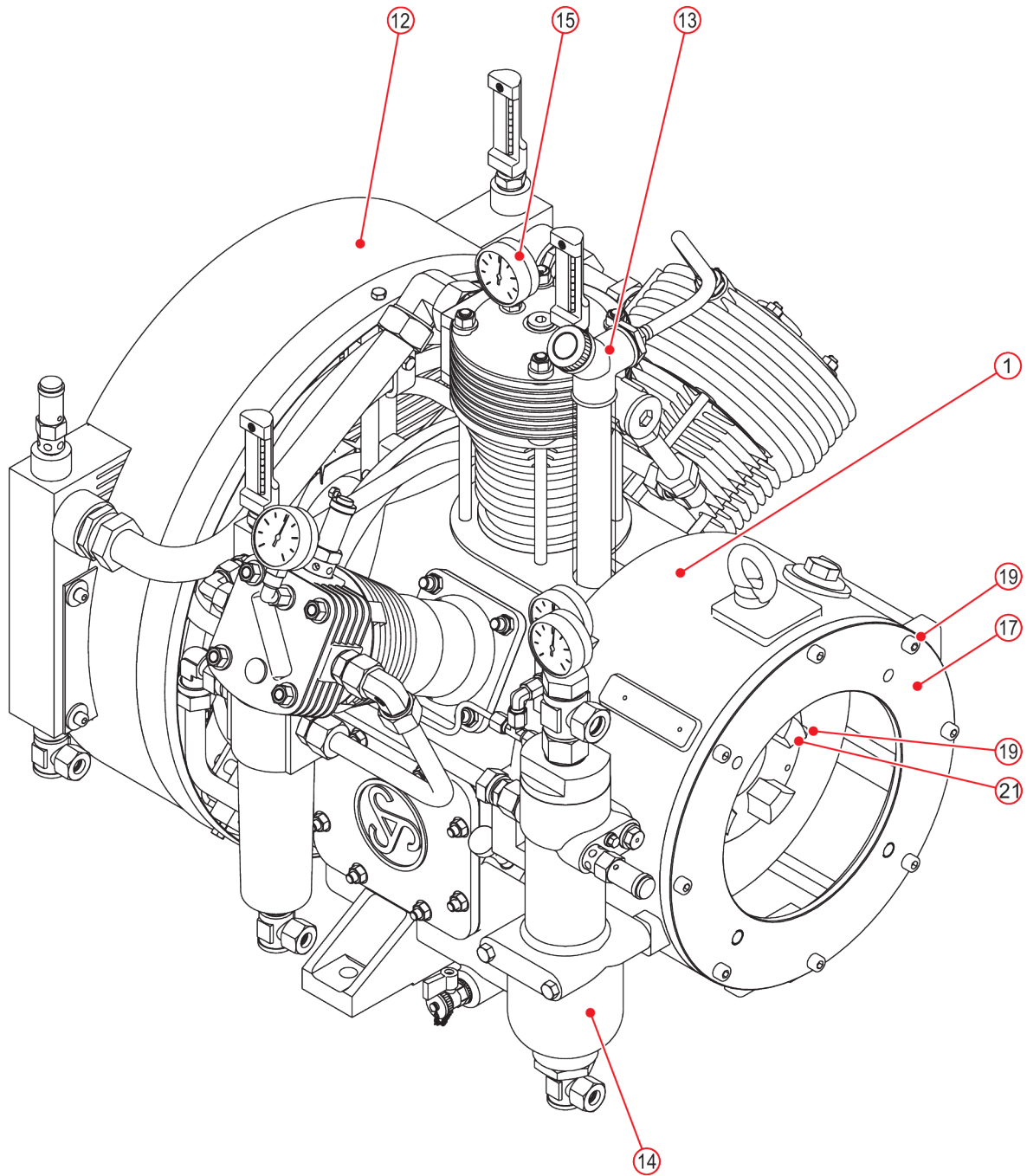
Item no.	Part no.	Designation	Quantity
1	064081	Compressor WP81L	1
3	064458	Automatic drainage system	1
4	065248	Anti-vibration resilient mount	1
5	064097	Channel section	1
6	091318	Condensate collection container	1
8	000184	Hexagon head screw	4
9	000155	Hexagon head screw	2
10	001620	Hexagon nut	2
11	002161	Washer	4
12	037321	Standard-hub	1
13	033494	Flexible coupling element	1
14	¹⁾	Electric motor	1

¹⁾ The part number for this assembly varies according to the order.



5.2

064081 Compressor WP81L (1/2)



STANDARD ASSEMBLIES

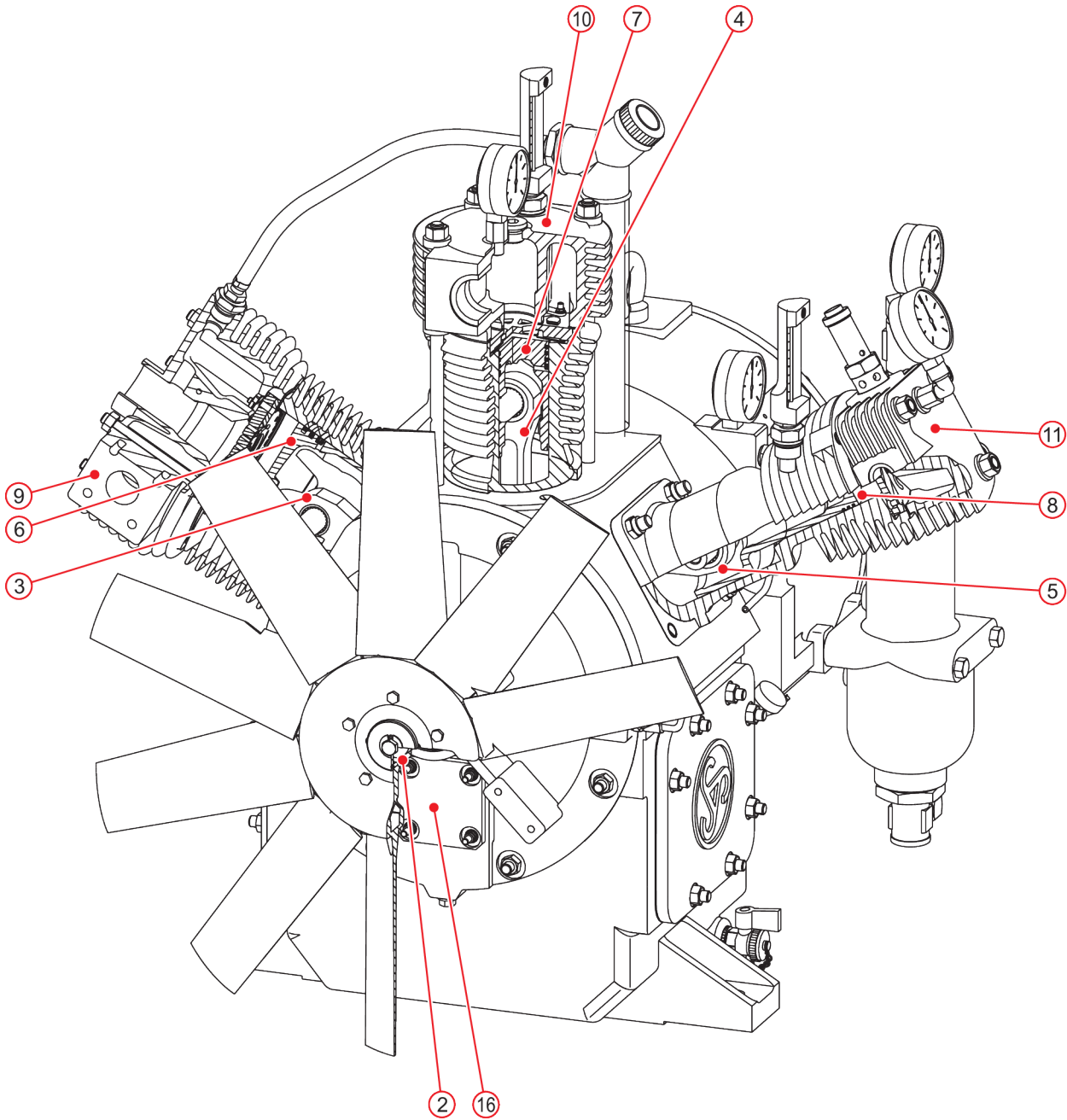
064081 Compressor WP81L (1/2)

Item no.	Part no.	Designation	Quantity
1	064106	Crankcase	1
12	064112	Cooler	1
13	064302	Crankcase vent	1
14	064105	Condensate separator	1
15	064118	Compressor monitoring and protection	1
17	064137	Flange	1
19	000499	Socket head cap screw	14
21	036345	Flange hub	1



5.3

064081 Compressor WP81L (2/2)



STANDARD ASSEMBLIES

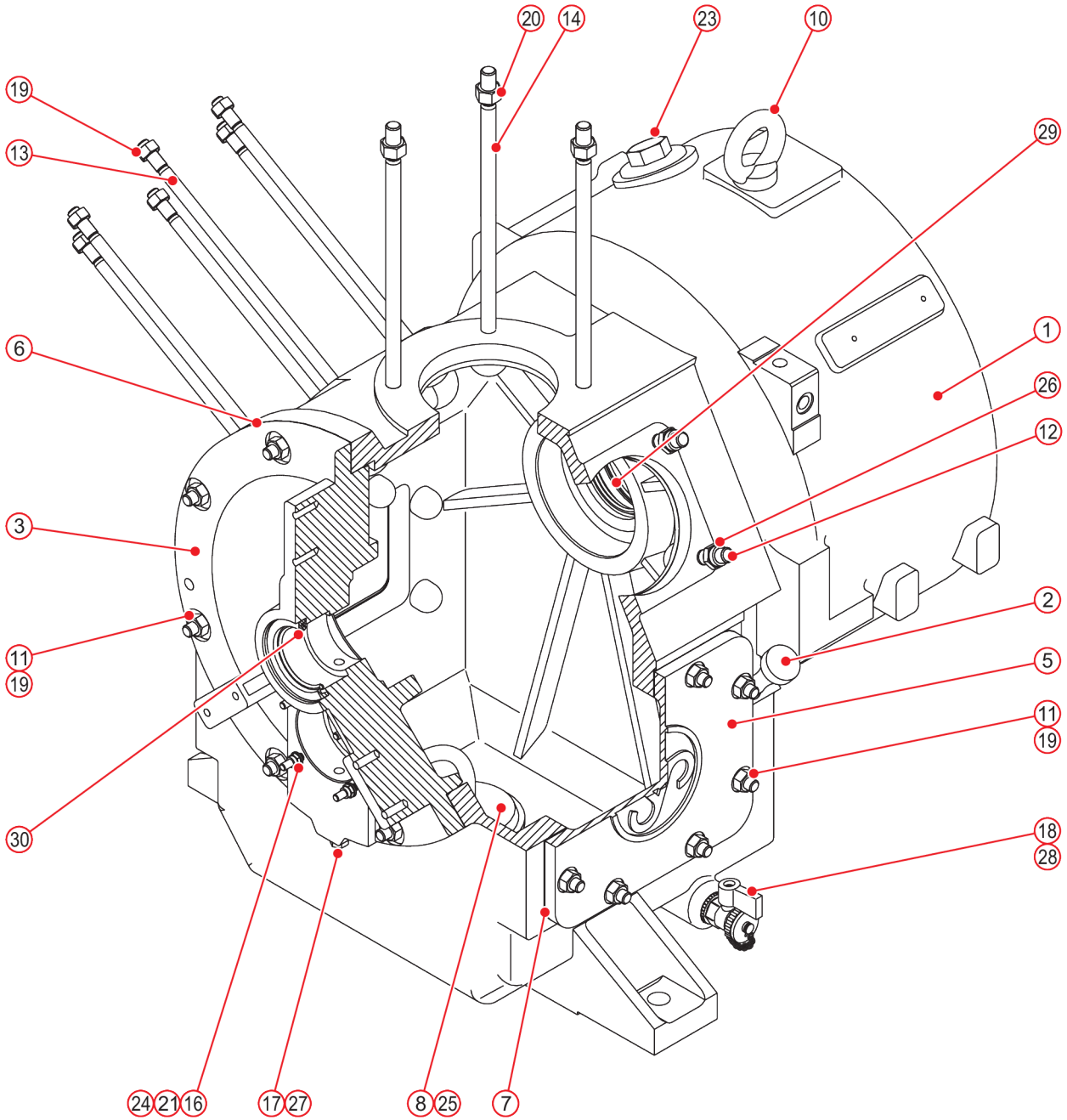
064081 Compressor WP81L (2/2)

Item no.	Part no.	Designation	Quantity
2	064284	Crankshaft	1
3	063102	Connecting rod [<i>compression stage 1</i>]	1
4	063103	Connecting rod [<i>compression stage 2</i>]	1
5	062981	Connecting rod [<i>compression stage 3</i>]	1
6	031881	Piston [<i>compression stage 1</i>]	1
7	062525	Piston [<i>compression stage 2</i>]	1
8	064108	Piston [<i>compression stage 3</i>]	1
9	064109	Cylinder with valve head [<i>compression stage 1</i>]	1
10	064110	Cylinder with valve head [<i>compression stage 2</i>]	1
11	064111	Cylinder with head and valve [<i>compression stage 3</i>]	1
16	064119	Oil pump drive	1
17	064137	Flange	1



5.4

064106 Crankcase assembly



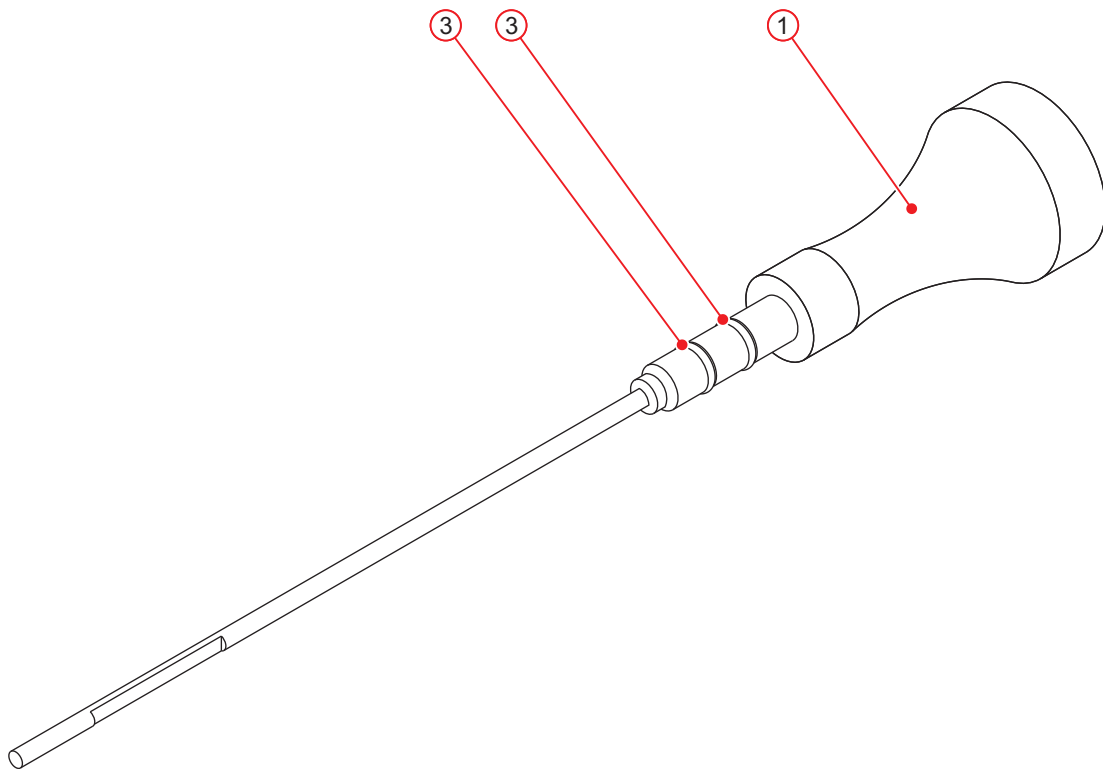
STANDARD ASSEMBLIES

064106 Crankcase assembly			
Item no.	Part no.	Designation	Quantity
1	064303	Crankcase	1
2	064064	Dipstick	1
3	064079	Bearing bracket	1
5	051883	Crankcase inspection cover	2
6	064095	Gasket	1
7	063748	Gasket	2
8	036896	Oil strainer	1
10	000270	Lifting eye	1
11	001411	Stud	24
12	033717	Stud	4
13	037217	Stud	6
14	037218	Stud	4
16	041550	Stud	4
17	001009	Plug	1
18	038919	Oil drain valve	1
19	002031	Hexagon nut	30
20	001620	Hexagon nut	4
21	002020	Hexagon nut	4
23	001021	Plug	1
24	041061	V-belt pulley	4
25	004635	Union	1
26	002098	Hexagon nut	4
27	005001	Ring gasket	1
28	005009	Ring gasket	1
29	007123	Shaft seal	1
30	030831	Shaft seal	1



5.5

064064 Dipstick assembly



STANDARD ASSEMBLIES

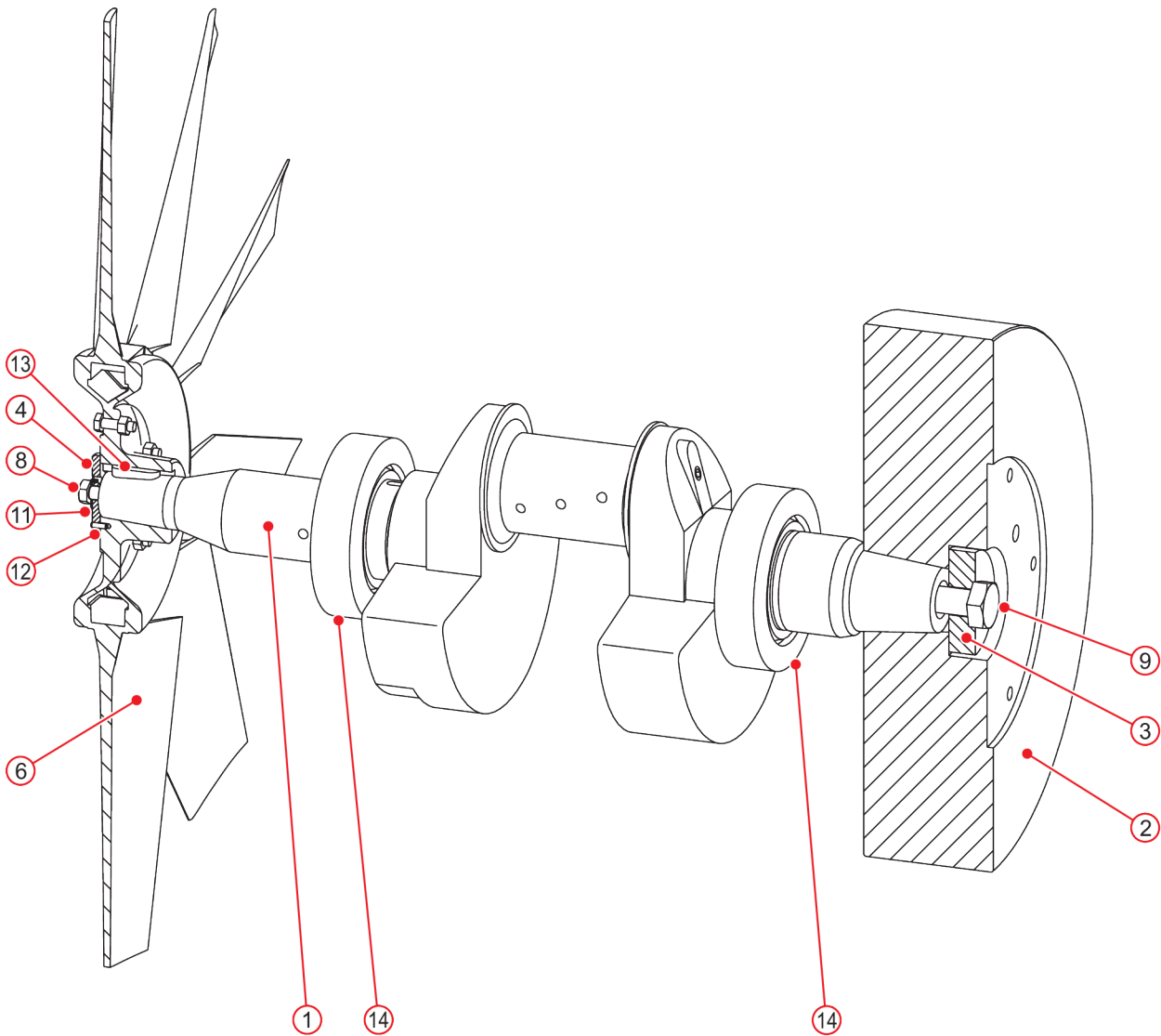
064064 Dipstick assembly

Item no.	Part no.	Designation	Quantity
1	037076	Oil dipstick	1
3	035520	O-ring	2



5.6

064284 Crankshaft assembly



STANDARD ASSEMBLIES

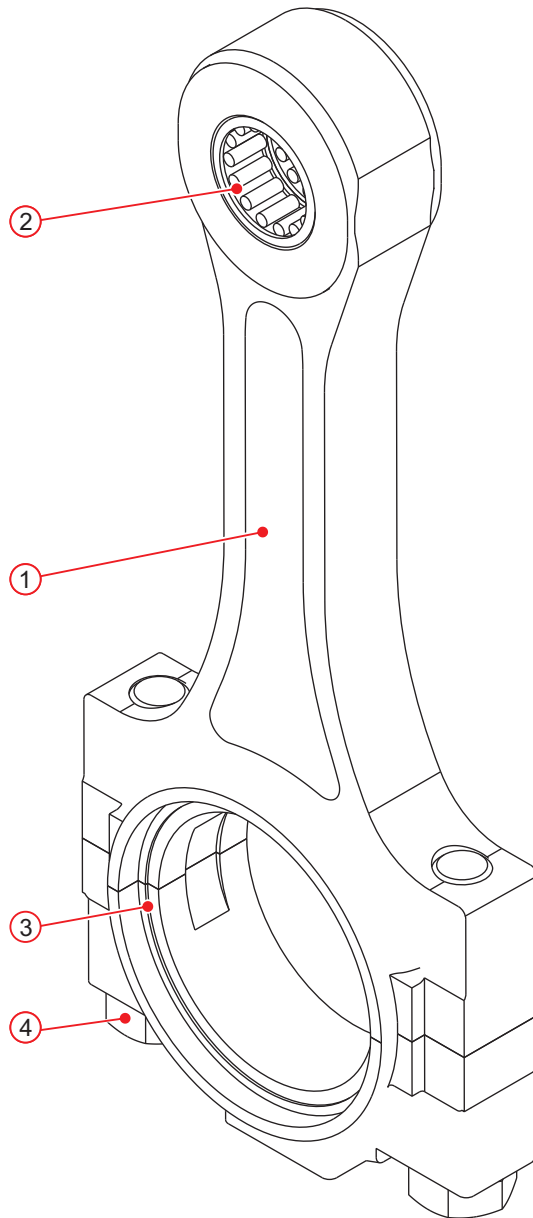
064284 Crankshaft assembly

Item no.	Part no.	Designation	Quantity
1	064323	Crankshaft	1
2	064138	Flywheel	1
3	064054	Washer	1
4	056887	Washer	1
6	033502	Fan	1
8	000117	Hexagon head screw	1
9	000188	Hexagon head screw	1
11	001667	Locking plate	1
12	004458	Dowel pin	1
13	001982	Fitted key	1
14	033215	Cylindrical roller bearing	2



5.7

**063102 Connecting rod assembly
[compression stage 1]**



STANDARD ASSEMBLIES

063102 Connecting rod assembly [*compression stage 1*]

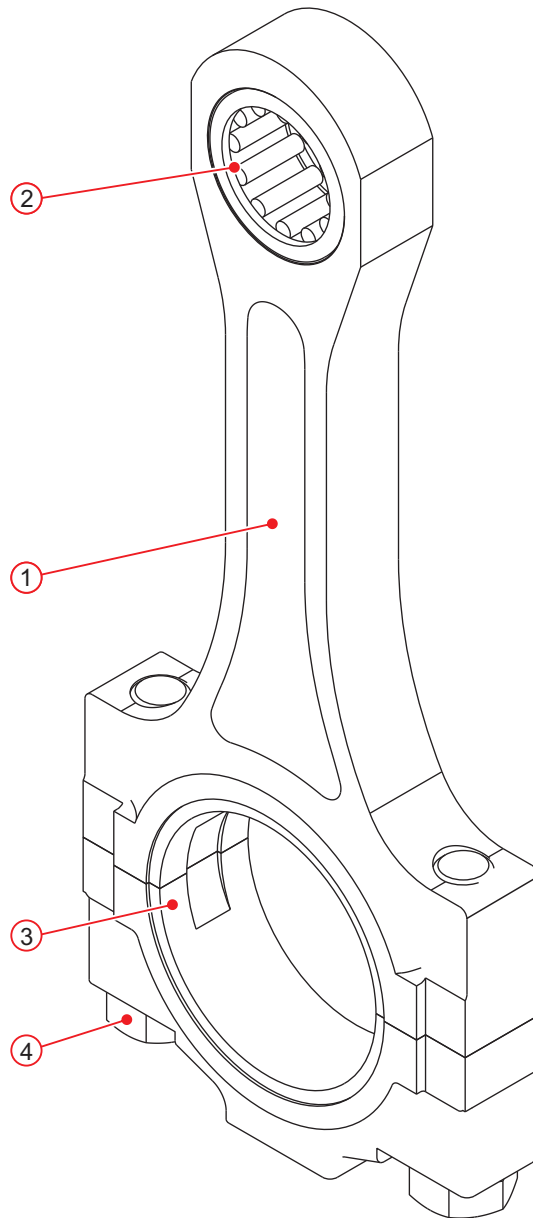
Item no.	Part no.	Designation	Quantity
1	063100	Connecting rod	1
2	036107	Needle roller bearing	2
3	056590	Connecting rod bearing	1
4 ¹⁾	053713	Connecting rod bolt	2

¹⁾ Item 4 is part of assembly 063100.



5.8

**063103 Connecting rod assembly
[compression stage 2]**



STANDARD ASSEMBLIES

063103 Connecting rod assembly [*compression stage 2*]

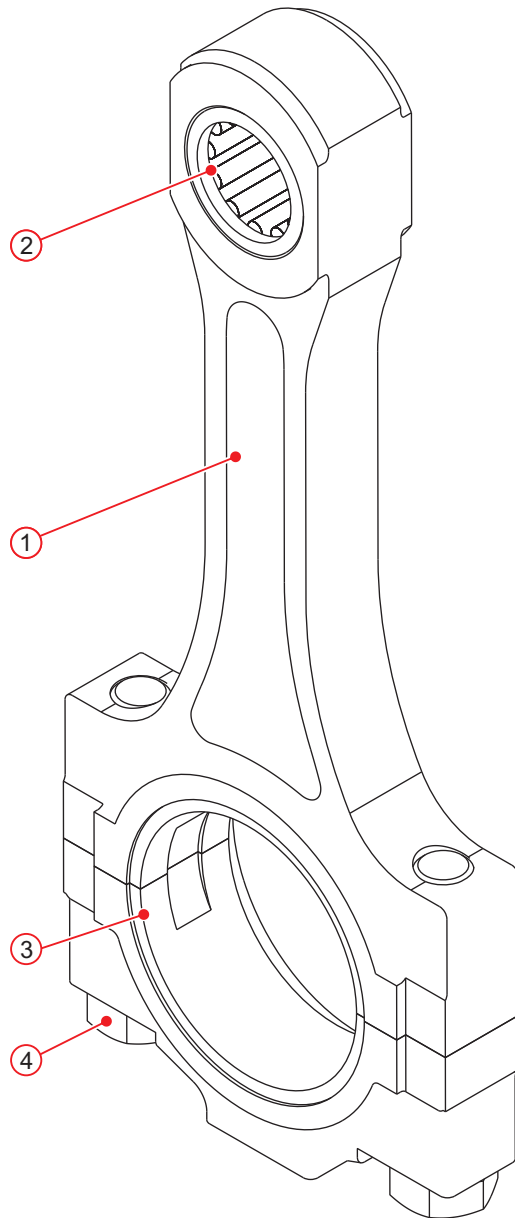
Item no.	Part no.	Designation	Quantity
1	063101	Connecting rod	1
2	036108	Needle roller bearing	1
3	056590	Connecting rod bearing	1
4 ¹⁾	053713	Connecting rod bolt	2

¹⁾ Item 4 is part of assembly 063101.



5.9

**062981 Connecting rod assembly
[compression stage 3]**



STANDARD ASSEMBLIES

062981 Connecting rod assembly [*compression stage 3*]

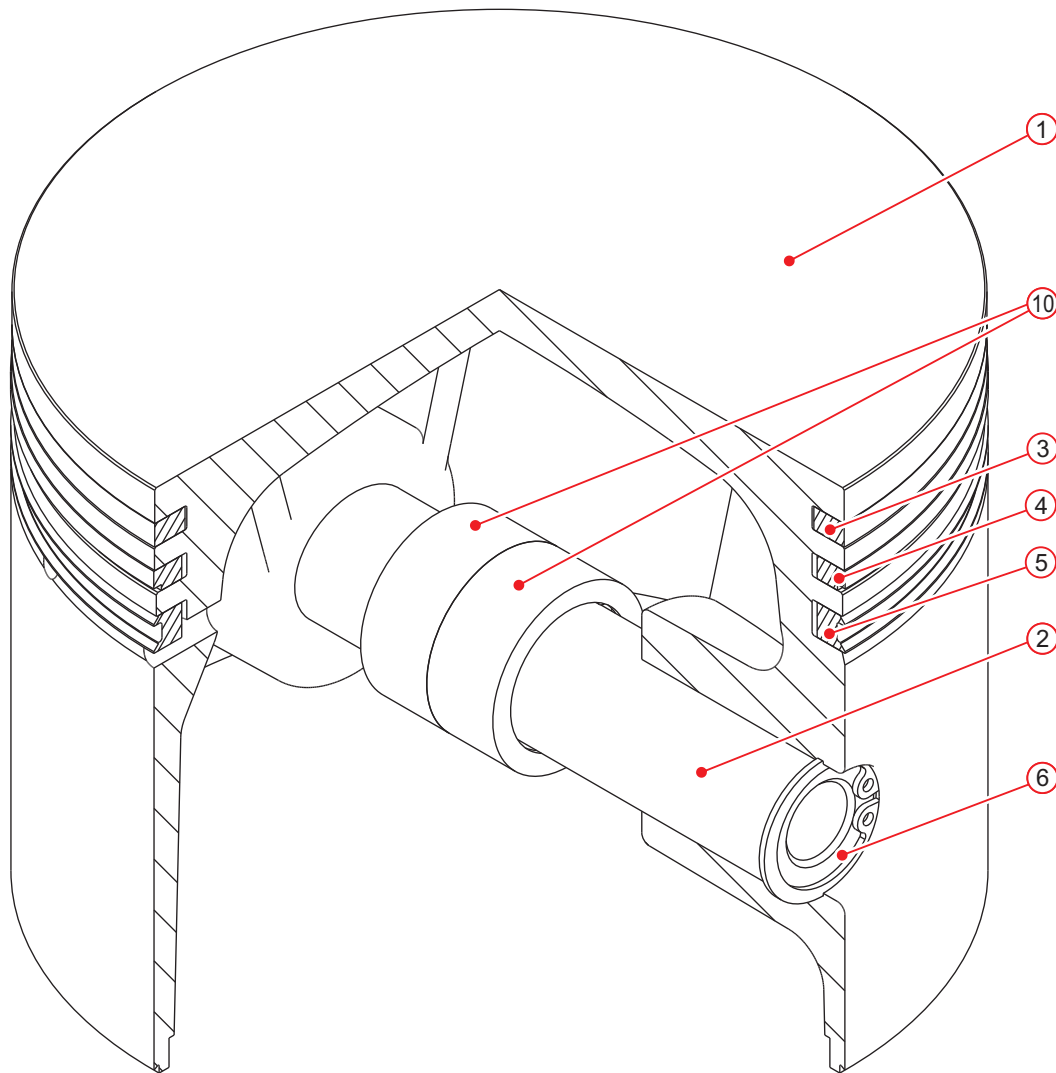
Item no.	Part no.	Designation	Quantity
1	062982	Connecting rod	1
2	036108	Needle roller bearing	1
3	056590	Connecting rod bearing	1
4 ¹⁾	053713	Connecting rod bolt	2

¹⁾ Item 4 is part of assembly 062982.



5.10

**031881 Piston assembly
[compression stage 1]**



STANDARD ASSEMBLIES

031881 Piston assembly [compression stage 1]

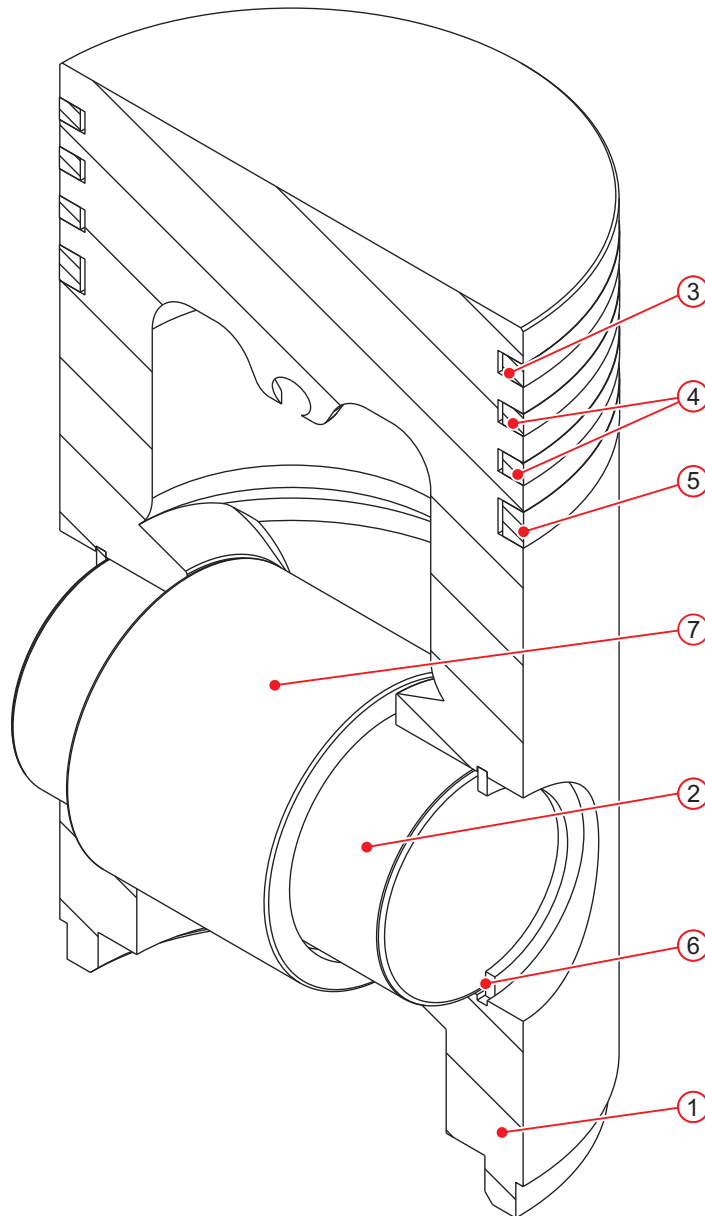
Item no.	Part no.	Designation	Quantity
1	090650	Piston	1
2	031883	Gudgeon pin	1
3	012512	Taper faced compression ring	1
4	031901	Nose ring	1
5	031902	Double bevelled oil control ring	1
6	002976	Circlip	2
10 ¹⁾	036107	Needle roller bearing	2

¹⁾ Item 10 is part of assembly 063102.



5.11

062525 Piston assembly
[compression stage 2]



STANDARD ASSEMBLIES

062525 Piston assembly [compression stage 2]

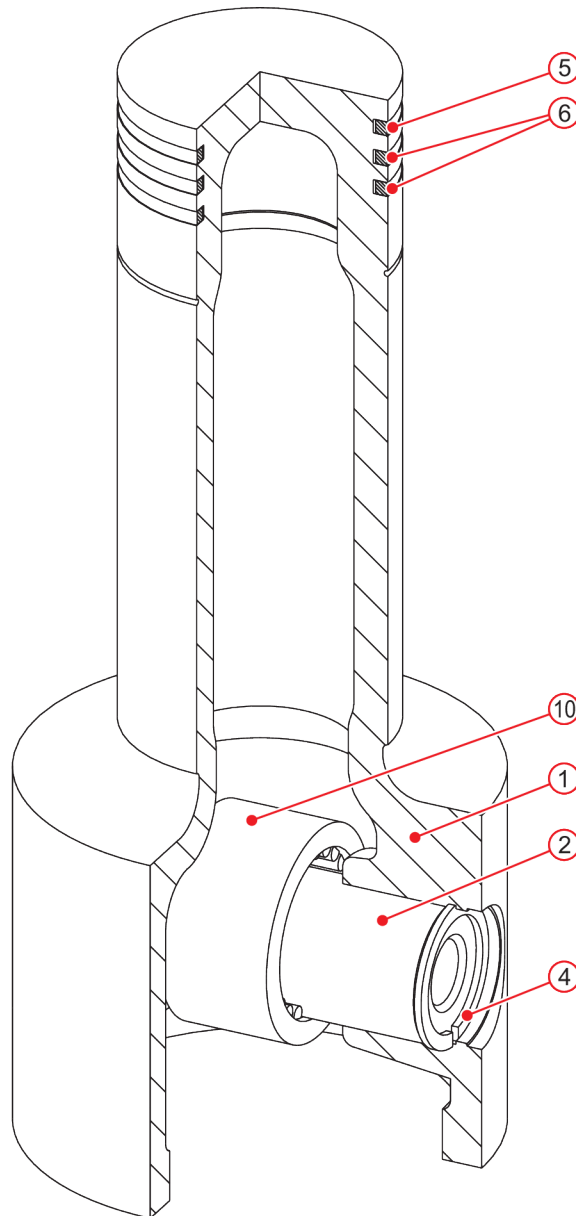
Item no.	Part no.	Designation	Quantity
1	062404	Piston	1
2	062524	Gudgeon pin	1
3	002748	Rectangular ring	1
4	002552	Nose ring	2
5	002585	Slotted oil control ring	1
6	036112	Circlip	2
7 ¹⁾	036108	Needle roller bearing	1

¹⁾ Item 7 is part of assembly 063103.



5.12

064108 Piston assembly
[compression stage 3]



STANDARD ASSEMBLIES

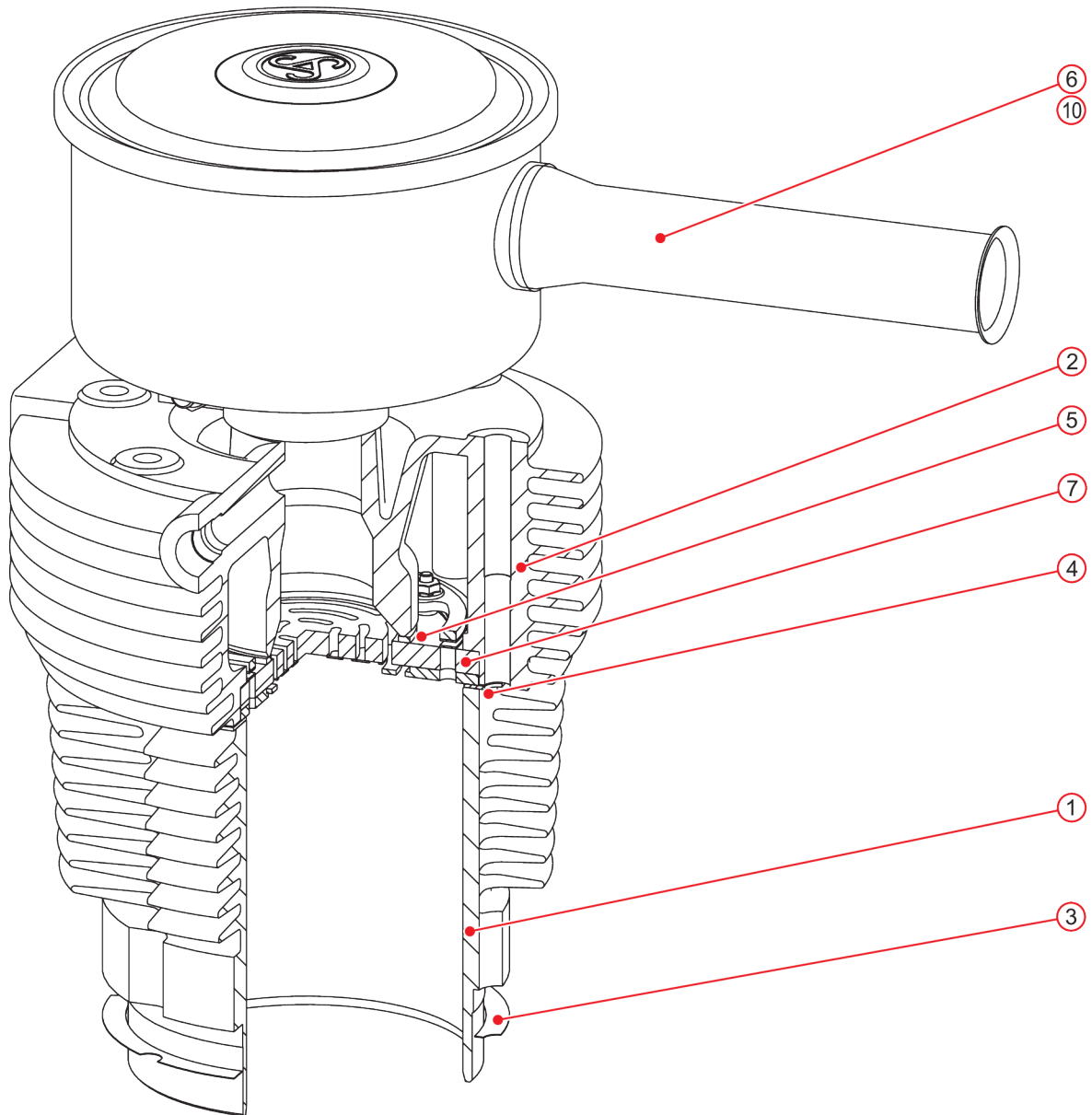
064108 Piston assembly [*compression stage 3*]

Item no.	Part no.	Designation	Quantity
1	062093	Piston	1
2	062469	Gudgeon pin	1
4	036112	Circlip	2
5	002662	Rectangular ring	1
6	002543	Nose ring	2
10 ¹⁾	036108	Needle roller bearing	1
1) Item 10 is part of assembly 062981.			



5.13

**064109 Cylinder assembly
[compression stage 1]**



STANDARD ASSEMBLIES

064109 Cylinder assembly [compression stage 1]

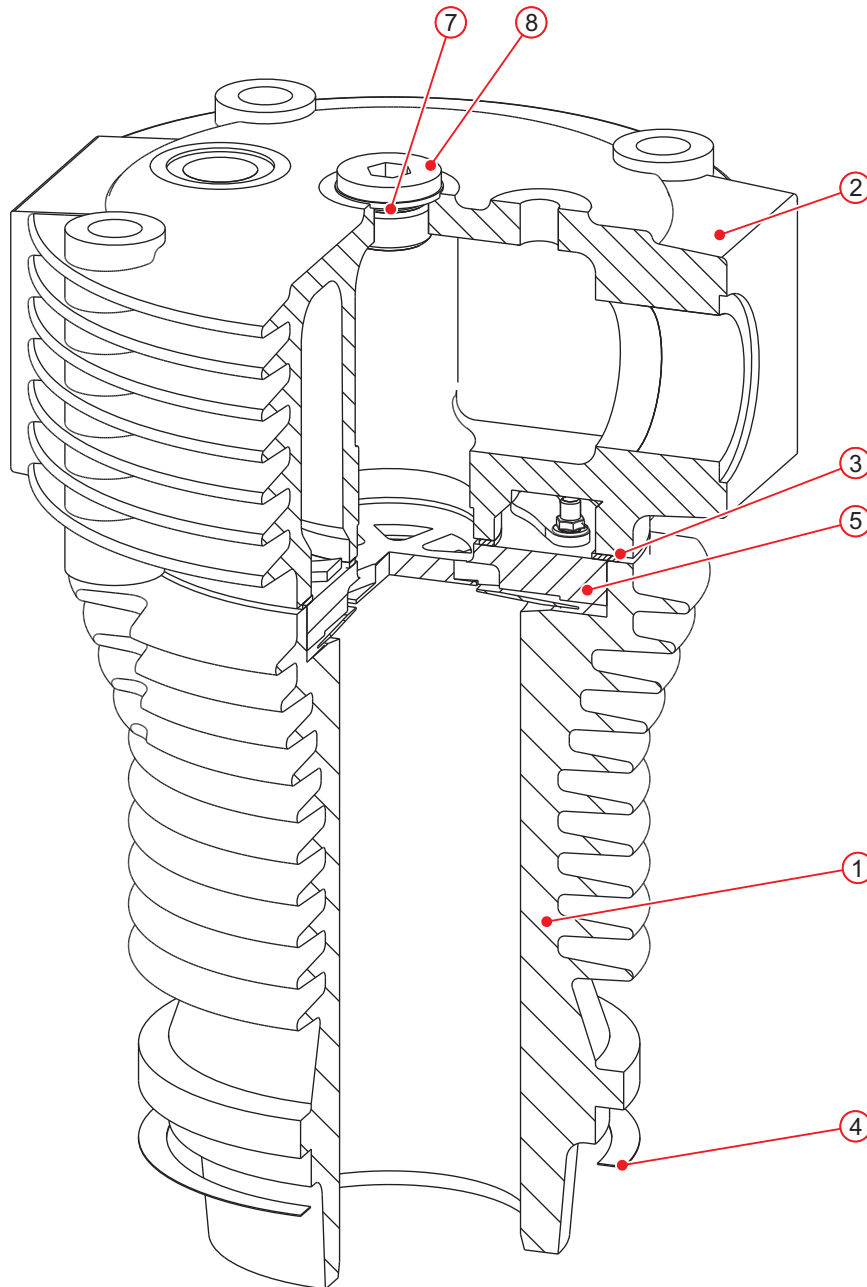
Item no.	Part no.	Designation	Quantity
1	064087	Cylinder	1
2	064134	Cylinder head	1
3	064048	Gasket	1
4	063059	Gasket	1
5	056235	Low tolerance o-ring	1
6	039547	Air filter	1
7	037157	Valve	1
10 ¹⁾	039548	Filter element	1

¹⁾ Item 10 is part of assembly 039547.



5.14

064110 Cylinder assembly
[compression stage 2]



STANDARD ASSEMBLIES

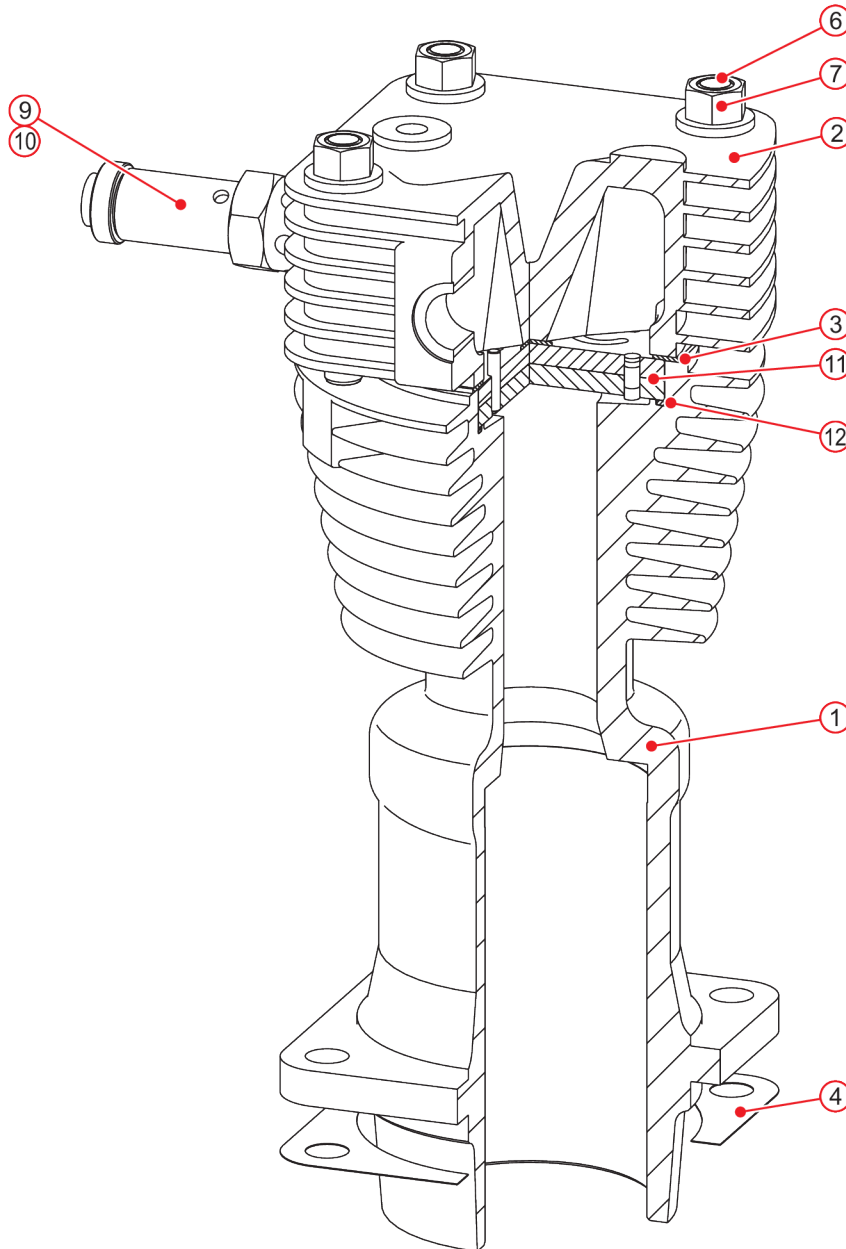
064110 Cylinder assembly [compression stage 2]

Item no.	Part no.	Designation	Quantity
1	064082	Cylinder	1
2	064085	Cylinder head	1
3	060266	Gasket	1
4	064094	Gasket	1
5	034983	Valve	1
7	005009	Ring gasket	1
8	000972	Plug	1



5.15

064111 Cylinder assembly
[compression stage 3]



STANDARD ASSEMBLIES

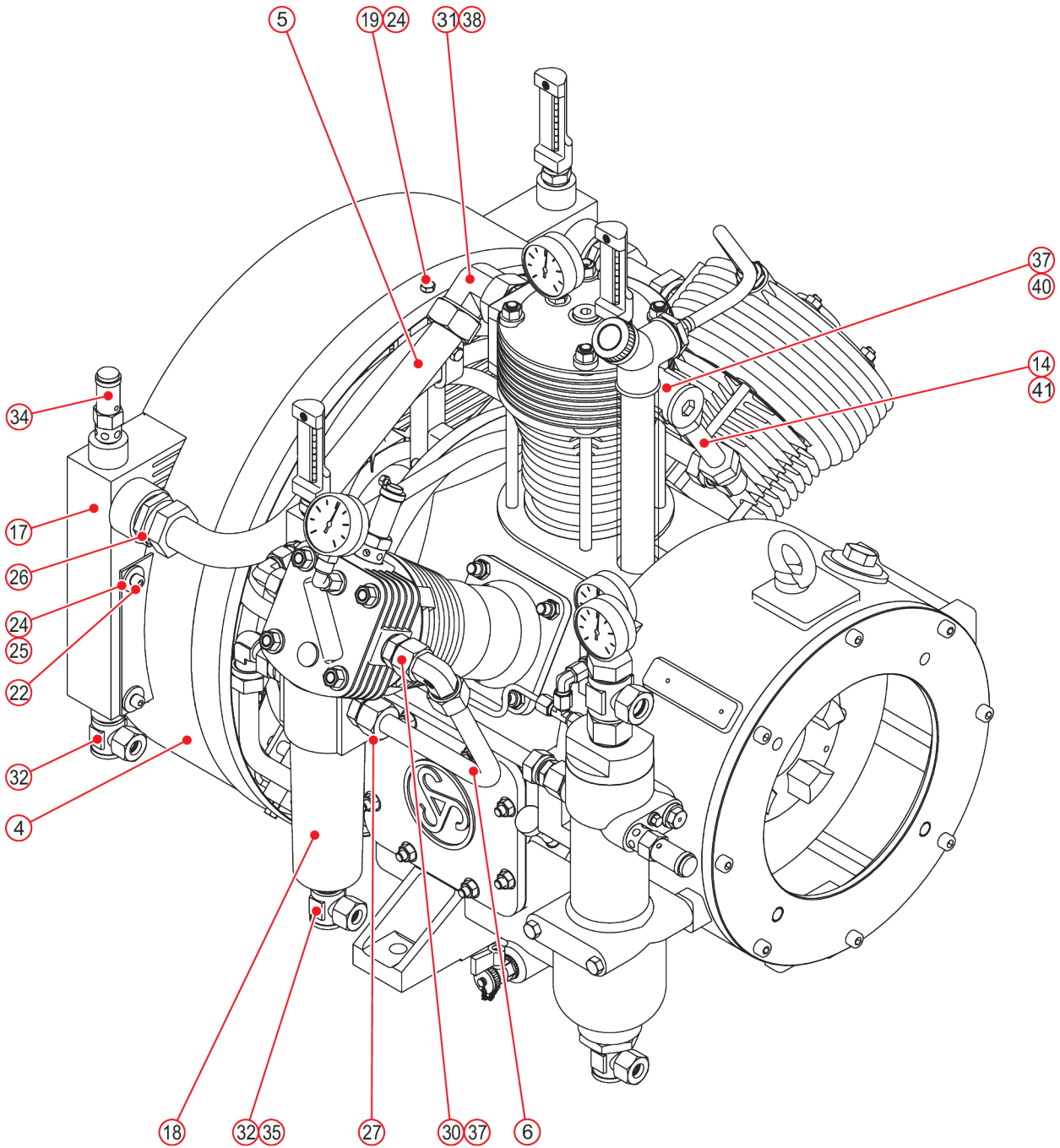
064111 Cylinder assembly [*compression stage 3*]

Item no.	Part no.	Designation	Quantity
1	064084	Cylinder	1
2	064135	Cylinder head	1
3	064051	Gasket	1
4	062936	Gasket	1
6	001517	Stud	4
7	001620	Hexagon nut	4
9	033714	Safety valve	1
10	005016	Ring gasket	1
11	040889	Twinkle Valve®	1
12	037526	O-ring	1



5.16

064112 Cooler assembly (1/3)



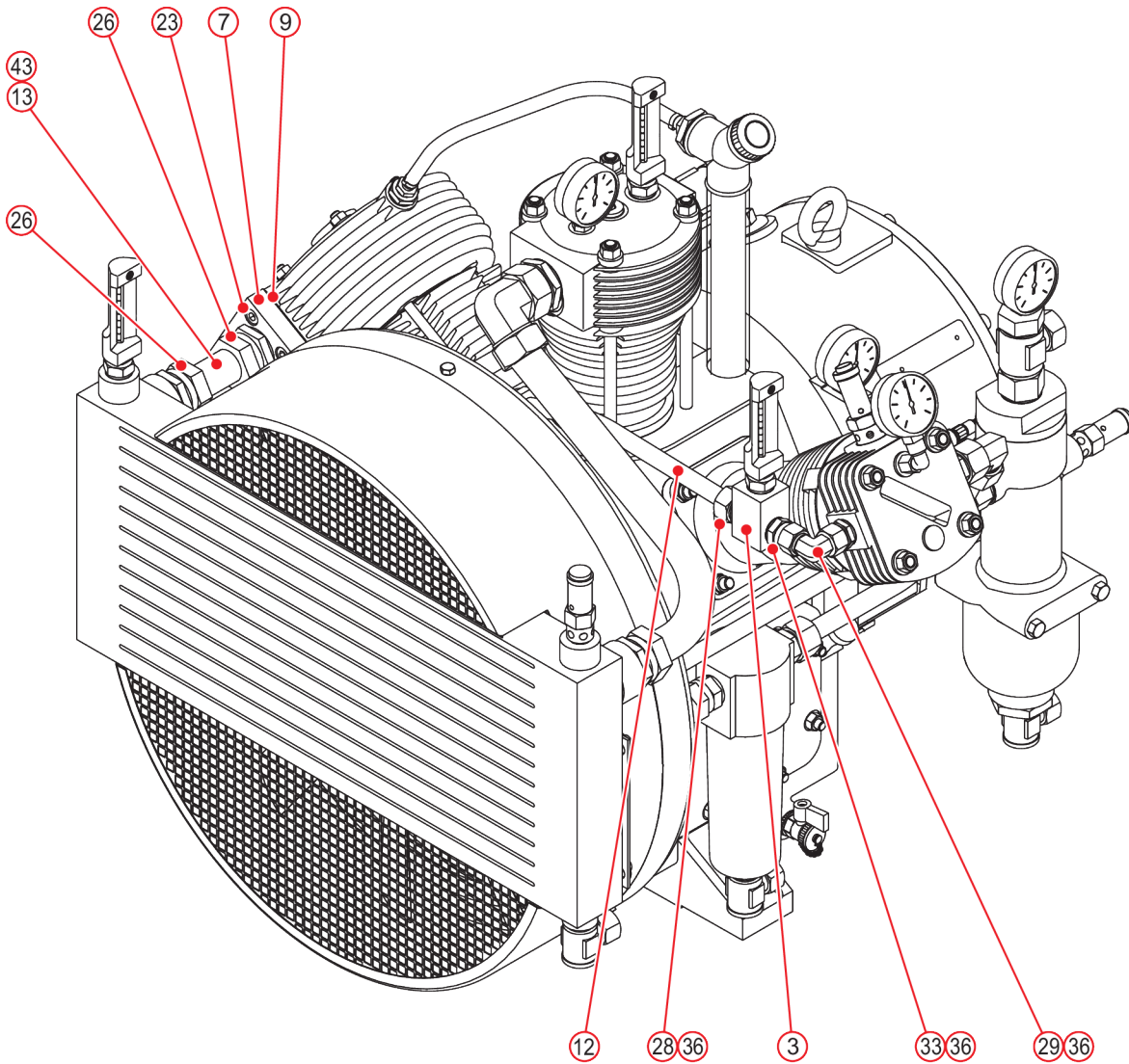
STANDARD ASSEMBLIES

064112 Cooler assembly (1/3)			
Item no.	Part no.	Designation	Quantity
4	064102	Fan cover	1
5	064115	Pipe	1
6	064116	Pipe	1
14	064619	Pipe	1
17	037211	Cooler	1
18	037221	Condensate separator	1
19	000028	Hexagon head screw	3
22	000452	Socket head cap screw	4
24	003114	Lock washer	7
25	037609	Washer	4
26	004666	Union	1
27	004652	Union	1
30	006221	Union	1
31	006228	Union	1
32	006187	Union	2
34	033224	Safety valve	1
35	030340	O-ring	1
37	005016	Ring gasket	2
38	005027	Ring gasket	1
40	006190	Union	1
41	038096	Cutting ring	2



5.17

064112 Cooler assembly (2/3)



STANDARD ASSEMBLIES

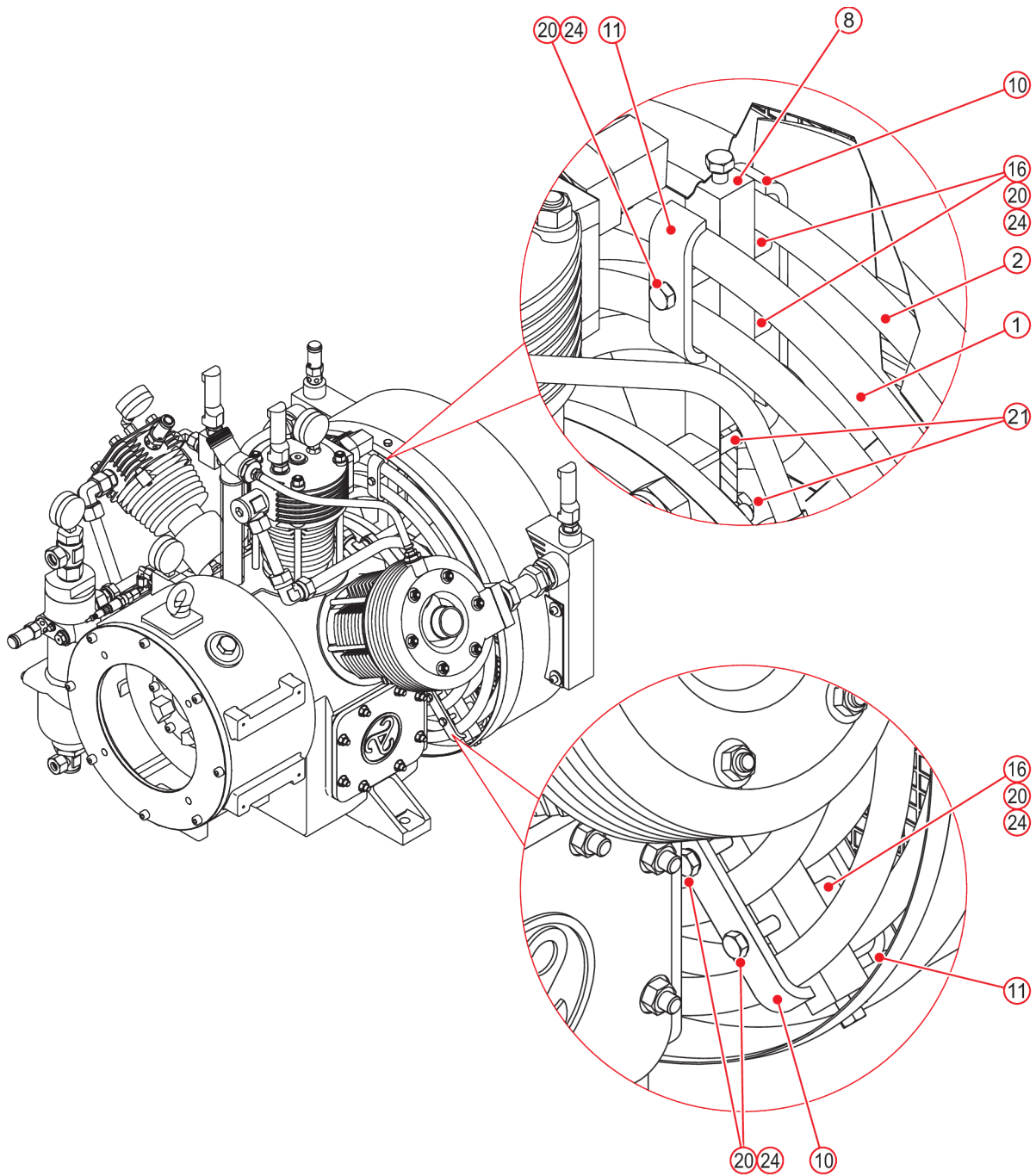
064112 Cooler assembly (2/3)

Item no.	Part no.	Designation	Quantity
7	064091	Flange	1
9	064050	Gasket	1
12	064117	Pipe	1
13	064618	Pipe	1
23	000497	Socket head cap screw	4
26	004666	Union	2
28	004647	Union	1
29	006219	Union	1
33	006452	Stub adaptor	1
36	005009	Ring gasket	3
43	038401	Cutting ring	2



5.18

064112 Cooler assembly (3/3)



STANDARD ASSEMBLIES

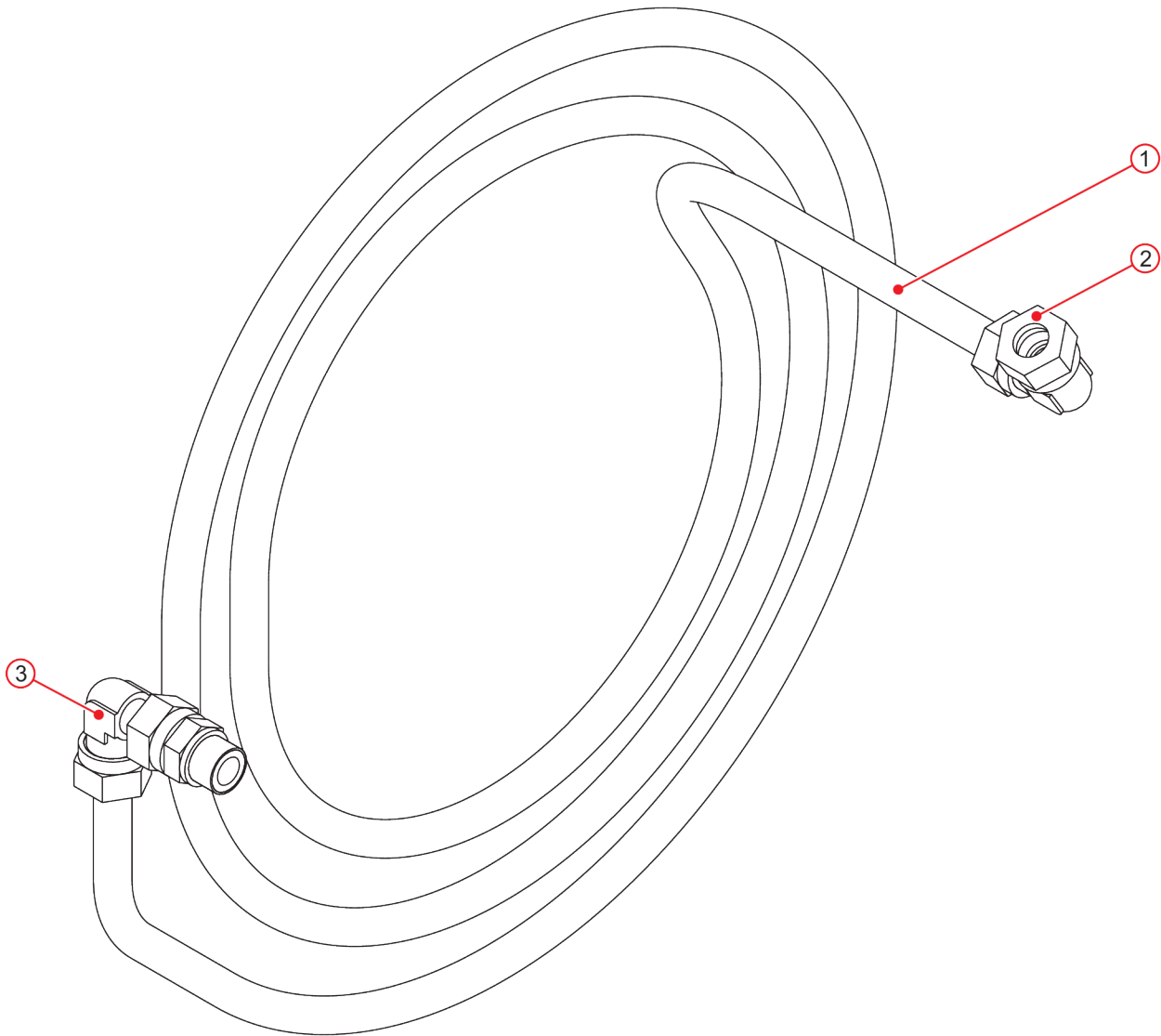
064112 Cooler assembly (3/3)

Item no.	Part no.	Designation	Quantity
1	064113	Cooler	1
2	064114	Cooler	1
8	064092	Retainer	3
10	064042	Clamp	3
11	064075	Clamp	3
16	064342	Pipe	4
20	000122	Hexagon head screw	9
21	000123	Hexagon head screw	6
24	003114	Lock washer	9



5.19

064113 Cooler



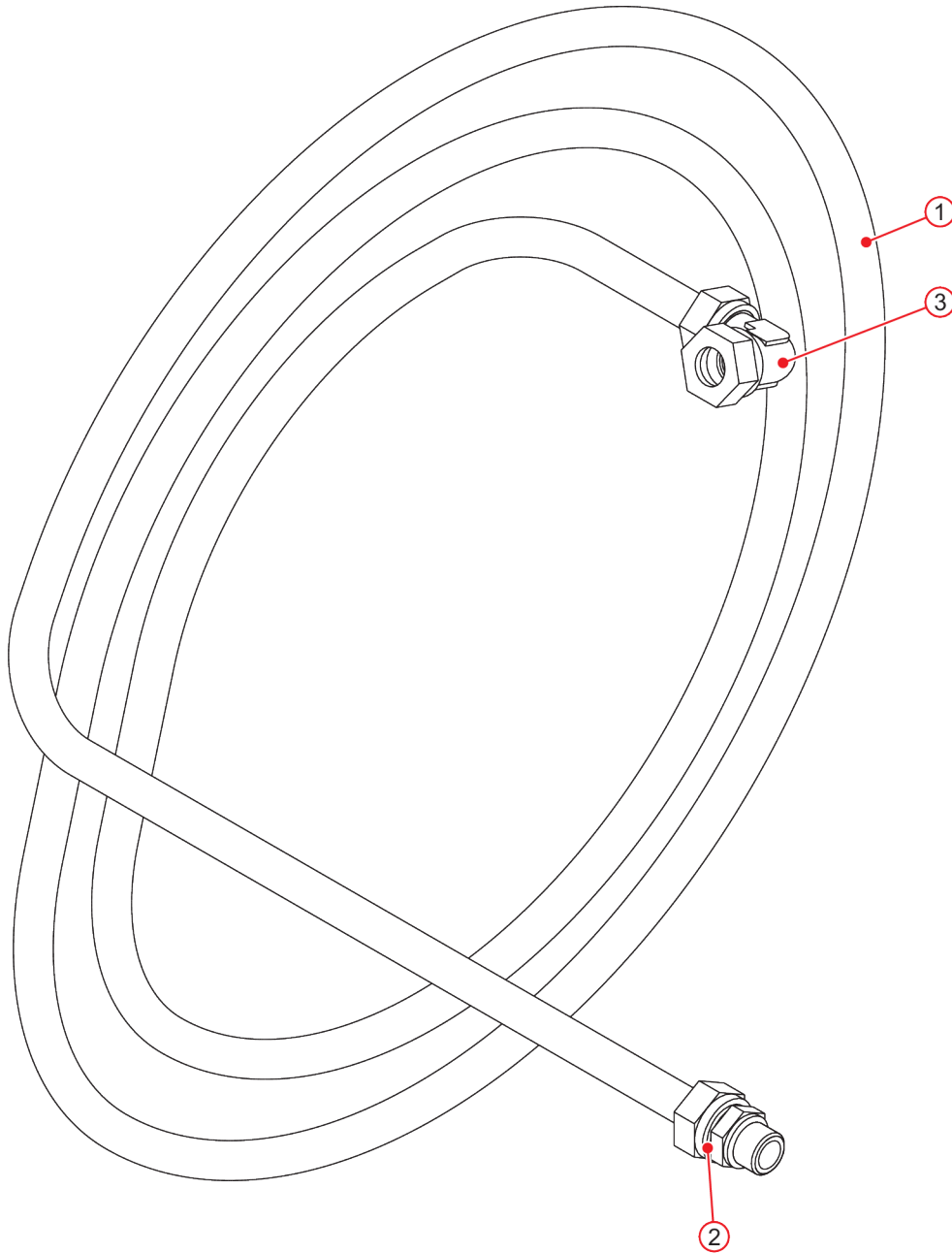
STANDARD ASSEMBLIES

064113 Cooler			
Item no.	Part no.	Designation	Quantity
1	064099	Cooler	1
2	006002	Union	1
3	006221	Union	1



5.20

064114 Cooler [compression stage 3]



STANDARD ASSEMBLIES

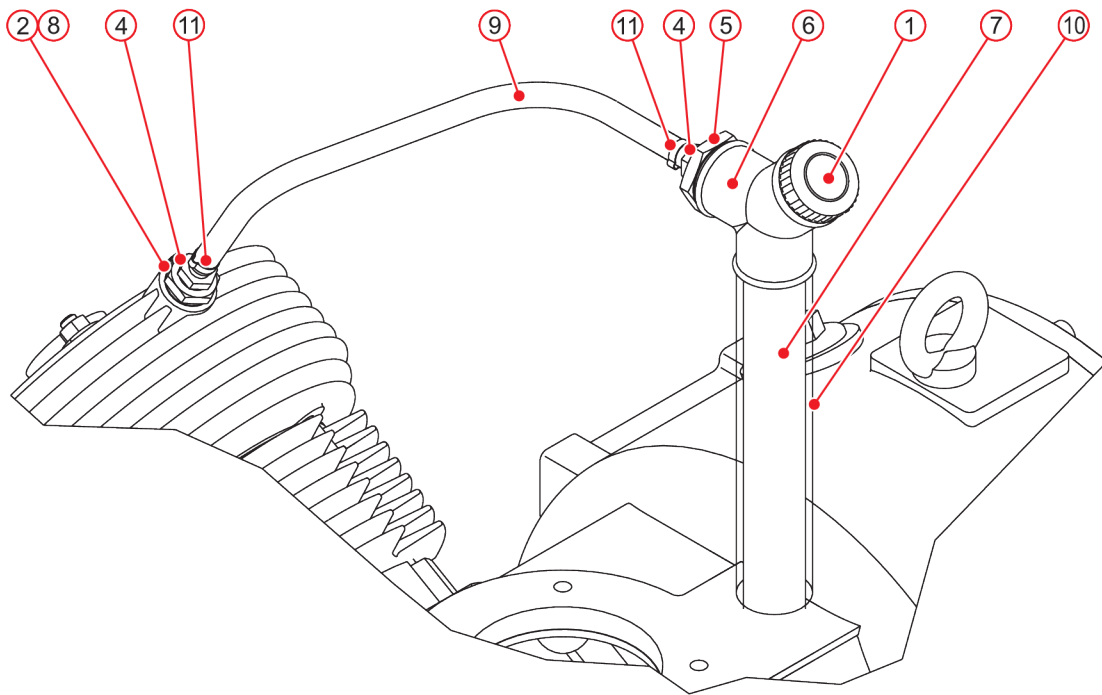
064114 Cooler [*compression stage 3*]

Item no.	Part no.	Designation	Quantity
1	064100	Cooler	1
2	004647	Union	1
3	006000	Union	1



5.21

064302 Crankcase vent



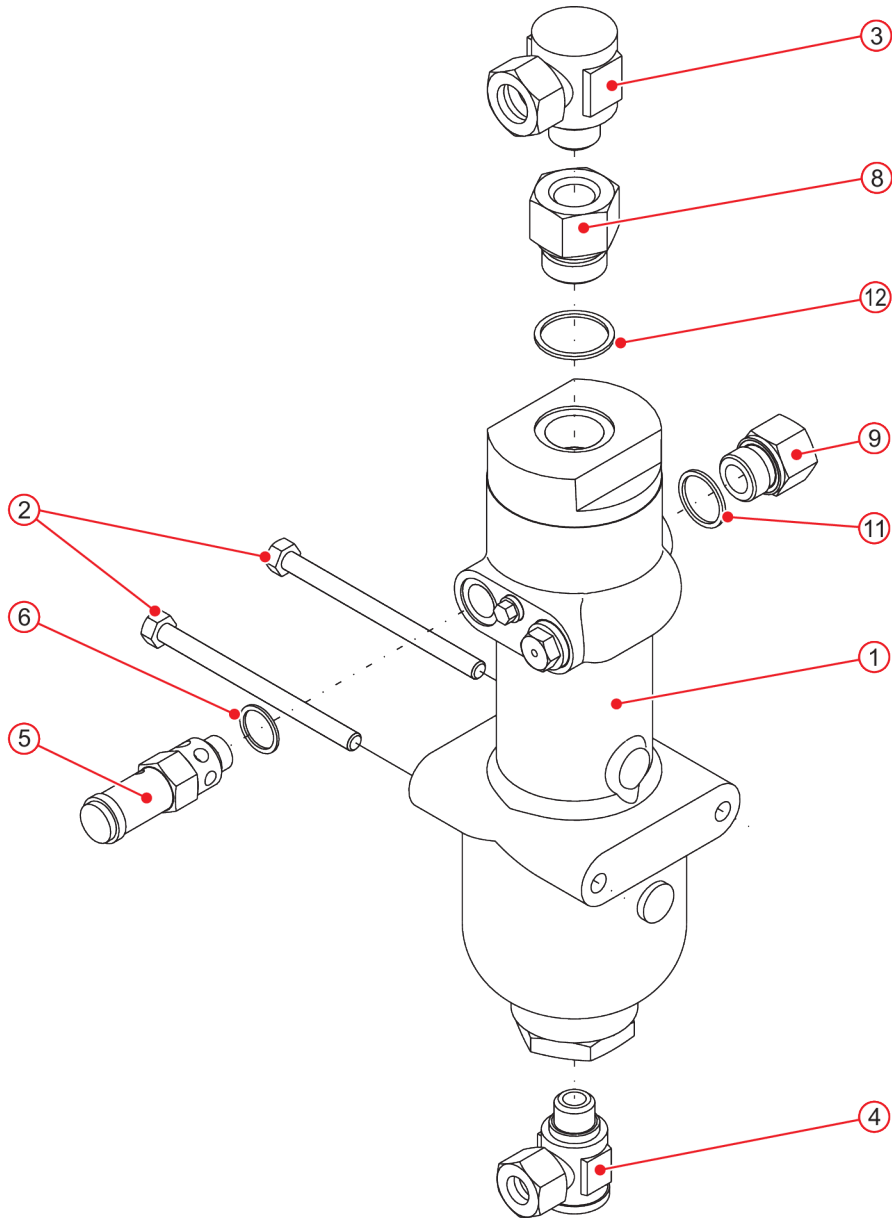
STANDARD ASSEMBLIES

064302 Crankcase vent			
Item no.	Part no.	Designation	Quantity
1	035824	Filler cap	1
2	006380	Reducing union	1
4	038920	Stub adaptor	2
5	033087	Reducing union	1
6	037137	Y-piece	1
7	064523	Pipe adaptor	1
8	005009	Ring gasket	1
9	034612	Low pressure hose	1
10	033952	Pipe insulation	1
11	040300	Ear clamp	2



5.22

064105 Condensate separator assembly [compression stage 3]



STANDARD ASSEMBLIES

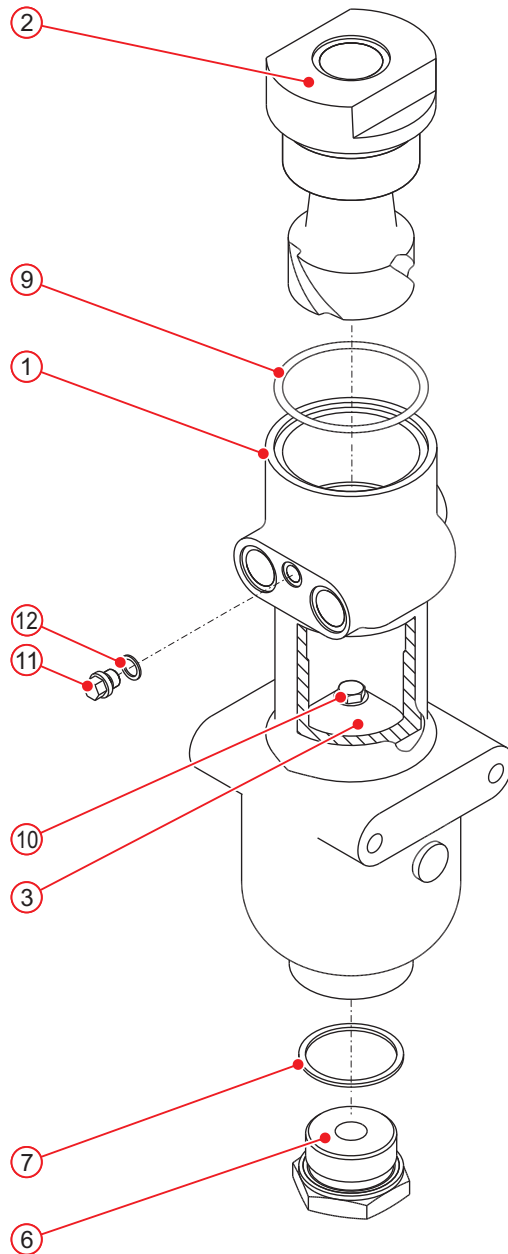
064105 Condensate separator assembly [*compression stage 3*]

Item no.	Part no.	Designation	Quantity
1	063121	Condensate separator	1
2	000147	Hexagon head screw	2
3	031905	Union	1
4	006187	Union	1
5	030752	Safety valve	1
6	005009	Ring gasket	1
8	006387	Reducing union	1
9	006385	Reducing union	1
11	005016	Ring gasket	1
12	005023	Ring gasket	1



5.23

063121/* Condensate separator [compression stage 3]



STANDARD ASSEMBLIES

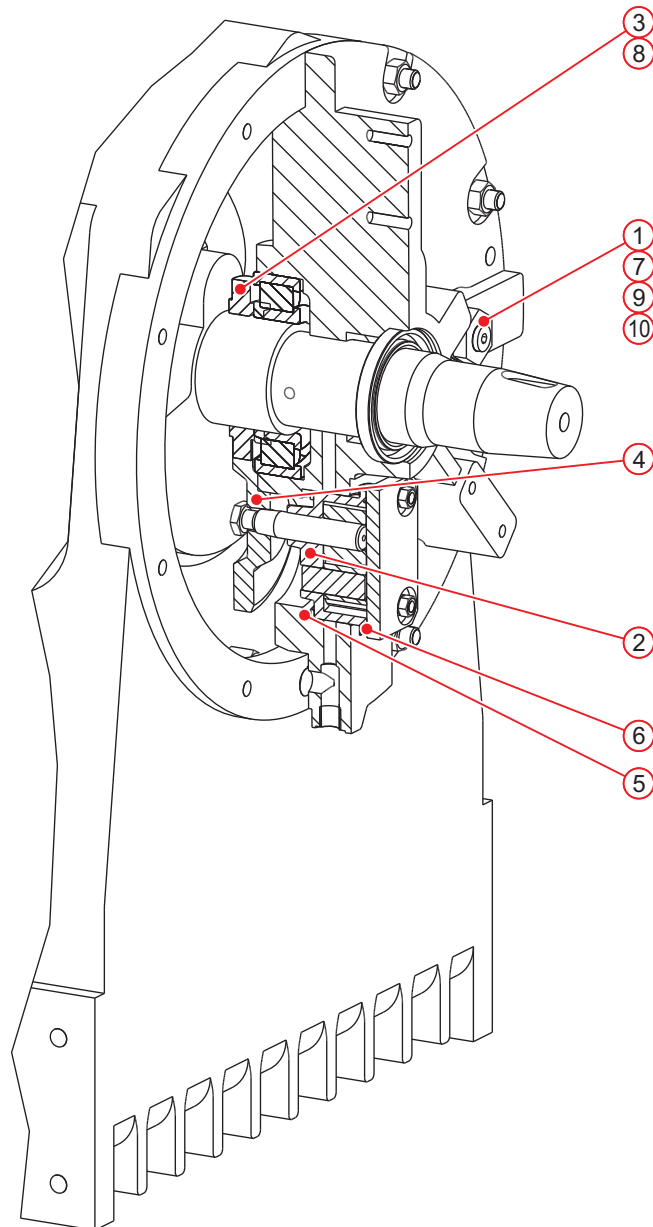
063121/* Condensate separator[compression stage 3]

Item no.	Part no.	Designation	Quantity
1	063228	Separator housing	1
2	063229	Separator insert	1
3	062328	Baffle cone	1
6	006390	Union	1
7	005029	Ring gasket	1
9	036171	O-ring	1
10	036041	Hexagon head screw	1
11	001007	Plug	1
12	003496	Ring gasket	1



5.24

064119 Oil pump drive



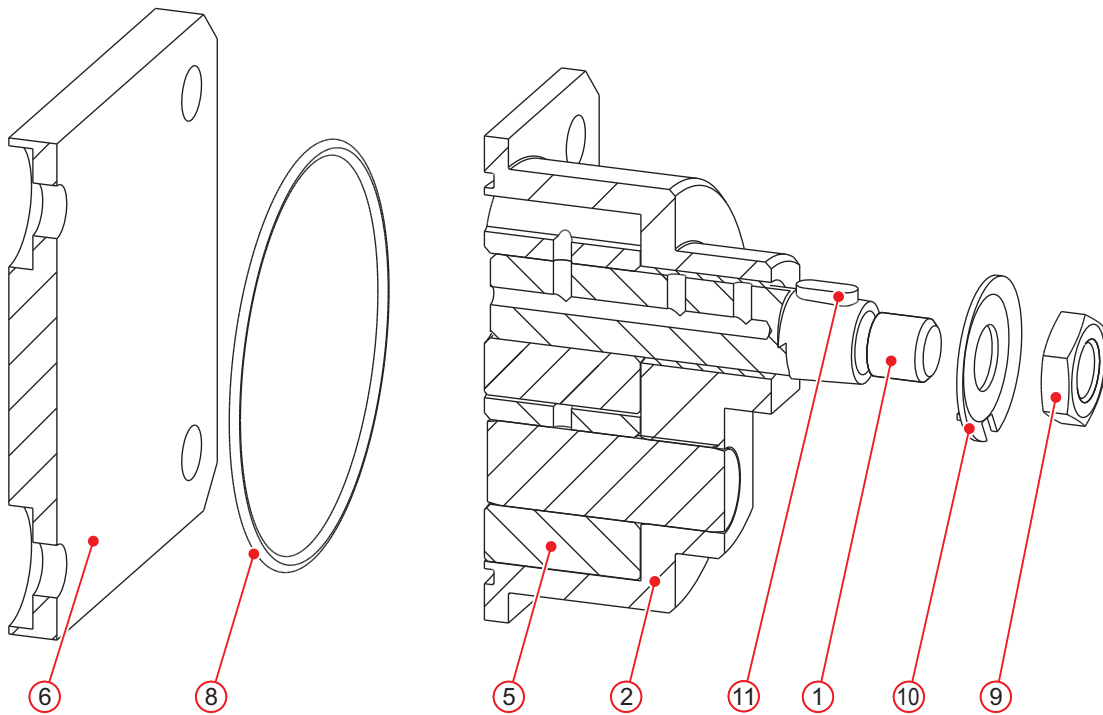
STANDARD ASSEMBLIES

064119 Oil pump drive			
Item no.	Part no.	Designation	Quantity
1	057916	Pressure relief valve	1
2	092937	Oil pump	1
3	064098	Gearwheel	1
4	056730	Gearwheel	1
5	056318	Gasket	1
6	092936	Gasket	1
7	000970	Plug	1
8	001942	Fitted key	1
9	003496	Ring gasket	1
10	003438	Ring gasket	1



5.25

092937 Oil pump



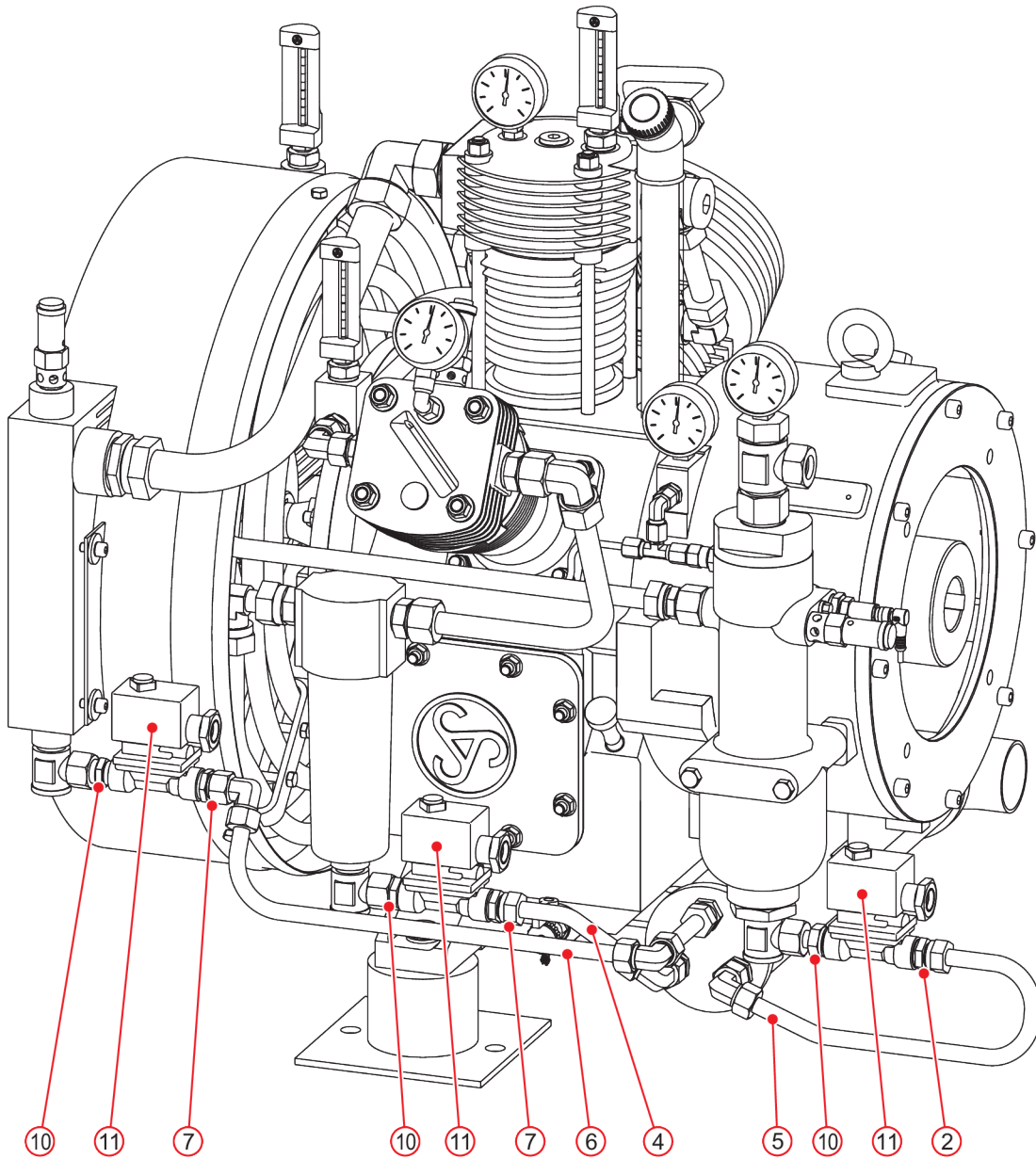
STANDARD ASSEMBLIES

092937 Oil pump			
Item no.	Part no.	Designation	Quantity
1	062908	Oil pump gearwheel	1
2	036360	Oil pump housing	1
5	036359	Gearwheel	1
6	092912	Oil pump cover	1
8	040795	O-ring	1
9	001064	Hexagon nut	1
10	001672	Locking plate	1
11	001925	Fitted key	1



5.26

064458 Automatic drainage system



STANDARD ASSEMBLIES

064458 Automatic drainage system

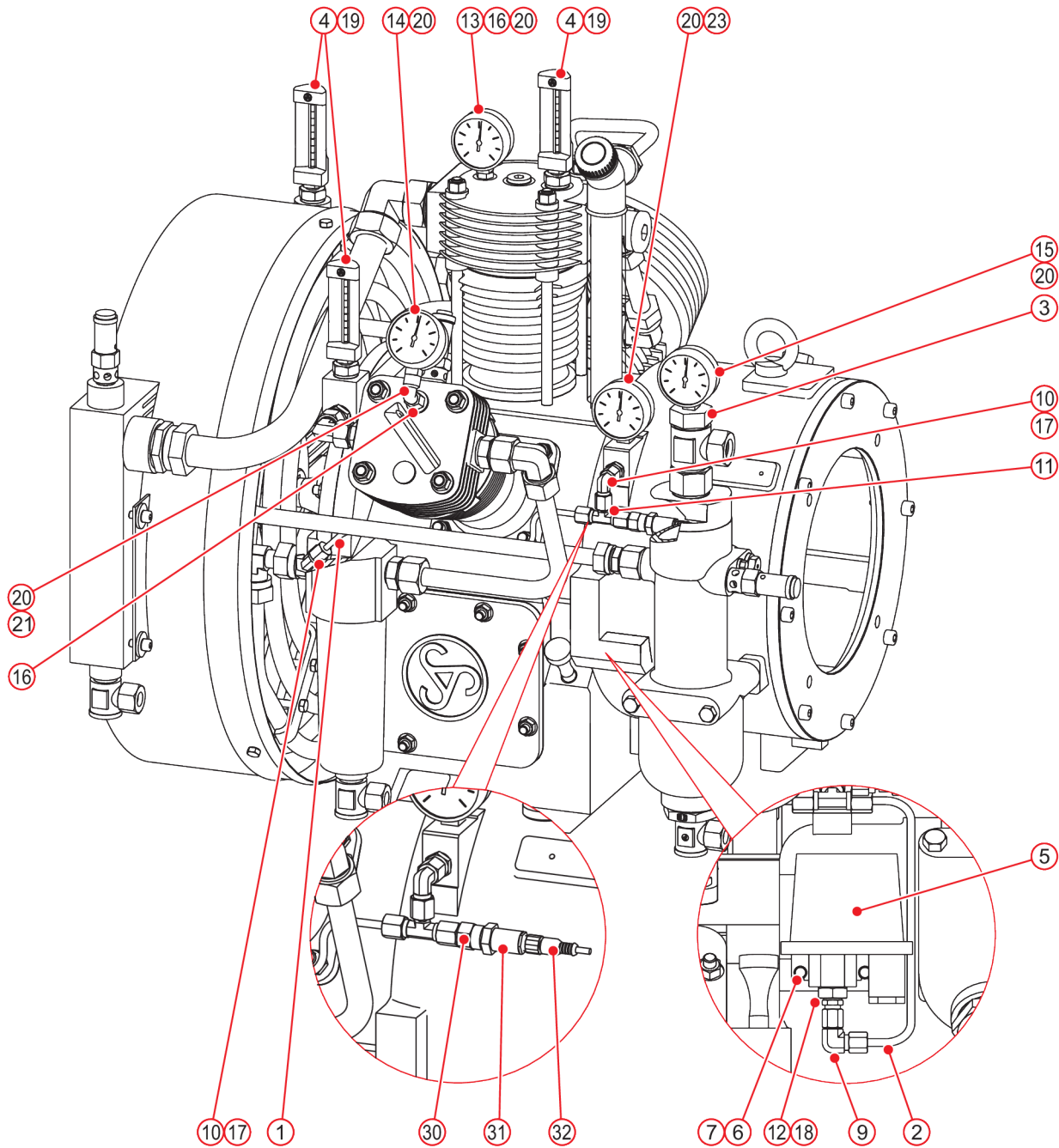
Item no.	Part no.	Designation	Quantity
2	066888	Flow control	1
4	093205	Pipe	1
5	093206	Pipe	1
6	093207	Pipe	1
7	004641	Union	2
10	006455	Stub adaptor	3
11	¹⁾	Solenoid drain valve	3

¹⁾ The part number varies according to the order.



5.27

064118/* Compressor monitoring and protection



STANDARD ASSEMBLIES

064118/* Compressor monitoring and protection

Item no.	Part no.	Designation	Quantity
1	008633	Pipe	1
2	008633	Pipe	1
3	064326	Adaptor straight tube to boss	1
4	033223	Temperature gauge	3
5 ¹⁾	030082	Oil pressure switch	1
6 ¹⁾	000009	Hexagon head screw	2
7 ¹⁾	002144	Washer	2
9 ¹⁾	033704	Union	1
10	030510	Union	2
11	034132	Union	1
12 ¹⁾	033017	Reducing union	1
13	038280	Pressure gauge	1
14	038281	Pressure gauge	1
15	038282	Pressure gauge	1
16	037160	Adaptor	2
17	005001	Ring gasket	2
18 ¹⁾	005006	Ring gasket	1
19	005009	Ring gasket	3
20	035061	Ring gasket	5
21	038264	Pressure gauge angle	1
23	038279	Pressure gauge	1
30	006266	Union	1
31	039316	Oil pressure sensor	1
32	039888	Cable socket	1

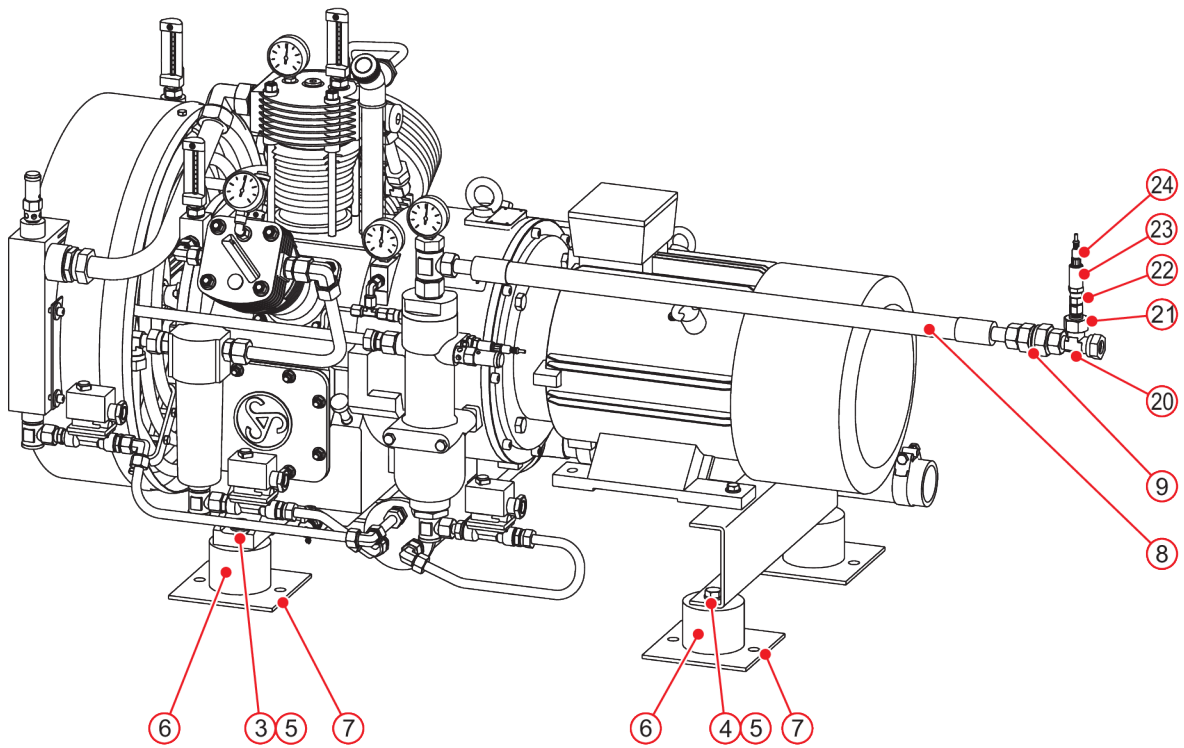
¹⁾These components are part of the optional oil pressure switch assembly. An oil pressure sensor is fitted as standard.

/* Specify the serial number when ordering the entire assembly (see compressor nameplate).



5.28

065248/* Anti-vibration resilient mount



STANDARD ASSEMBLIES

065248/* Anti-vibration resilient mount

Item no.	Part no.	Designation	Quantity
3	000069	Hexagon head screw	2
4	000066	Hexagon head screw	2
5	002166	Washer	4
6	031149	Elastic element	4
7	037172	Ground plate	4
8	033222	High pressure hose	1
9	033489	Non-return valve	1
20 ¹⁾	035780	Union	1
21 ¹⁾	035611	Union	1
22 ¹⁾	037281	Union	1
23 ¹⁾	039317	Final pressure sensor	1
24 ¹⁾	039888	Cable socket, straight	1
	039889	Optional instead of 039888: Angled cable socket	1

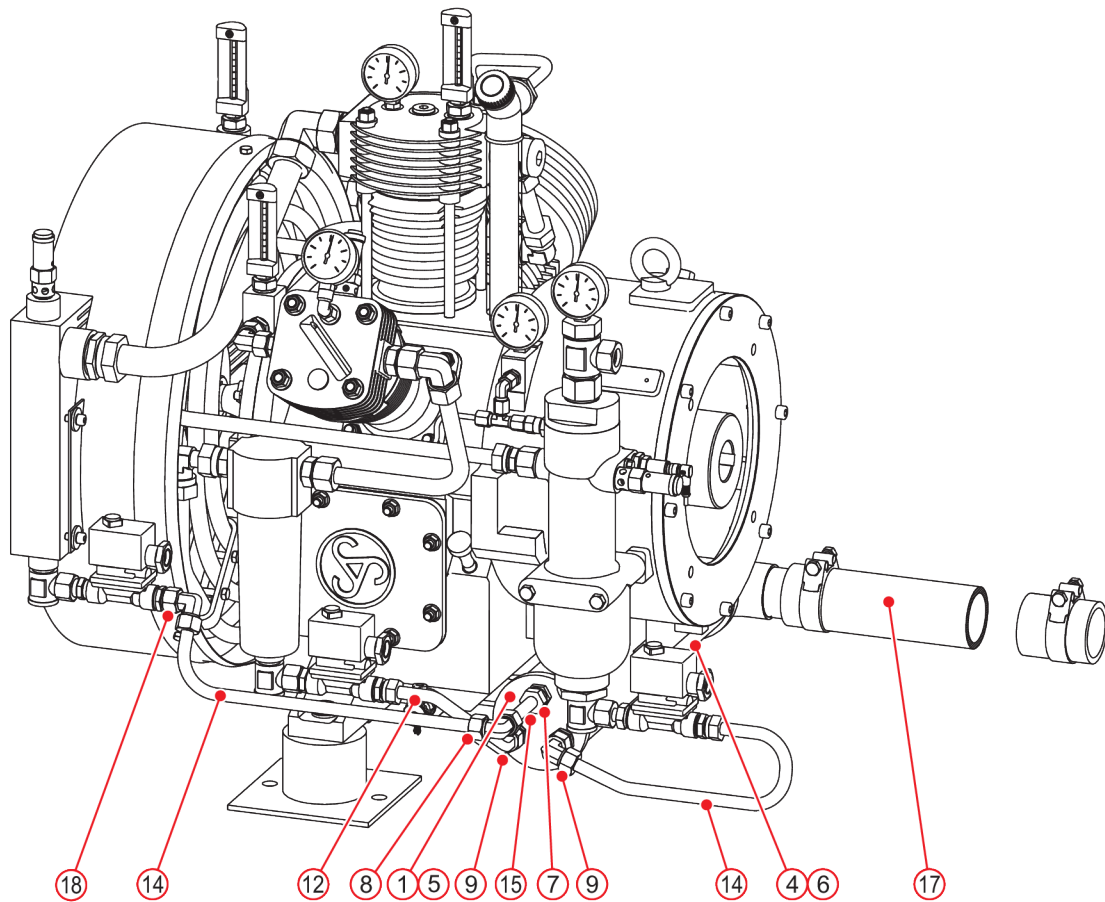
¹⁾Item not required if a final pressure switch is supplied.

/* Specify the serial number when ordering the entire assembly (see compressor nameplate).



5.29

091318 Condensate collection container



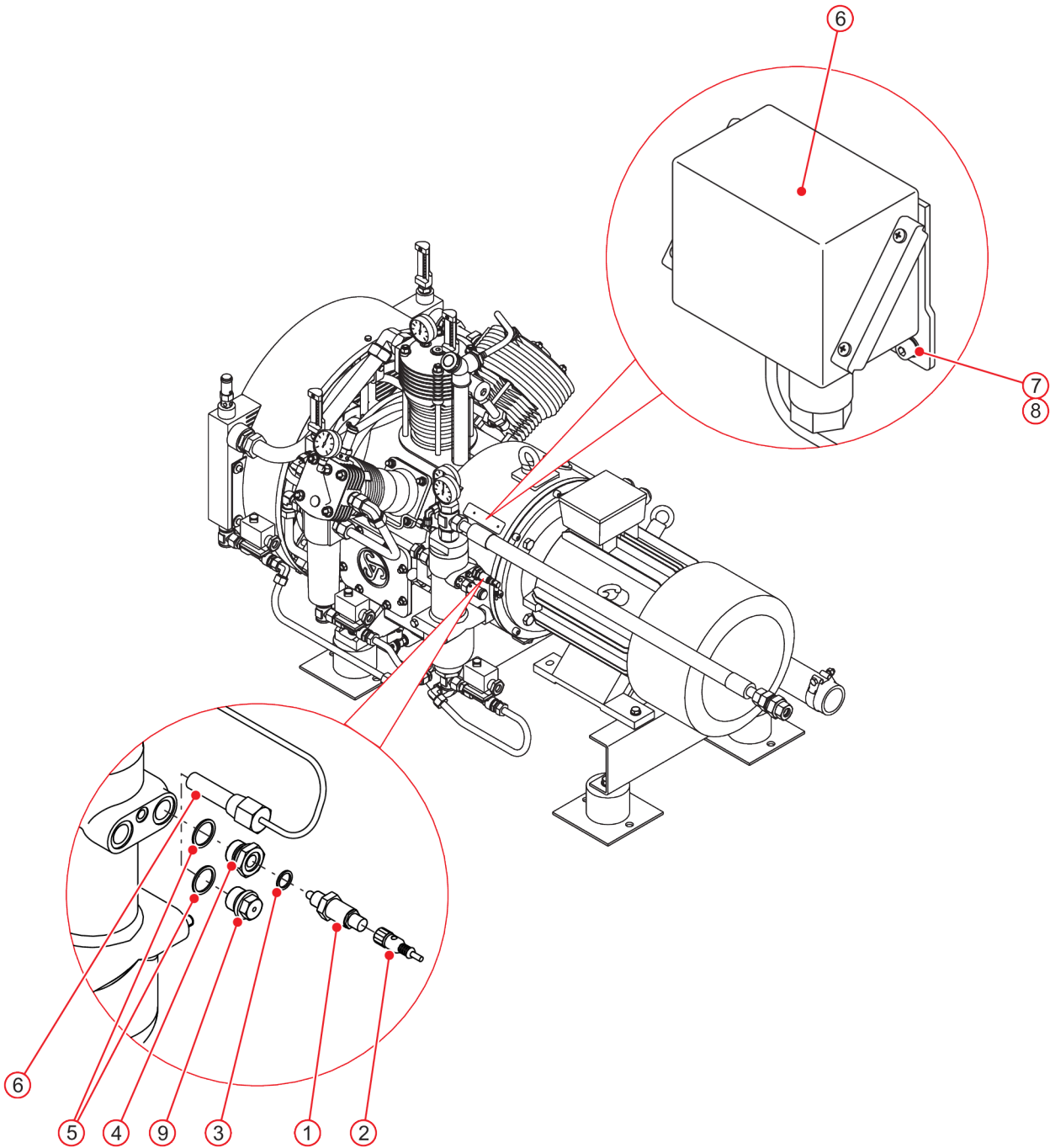
STANDARD ASSEMBLIES

091318 Condensate collection container			
Item no.	Part no.	Designation	Quantity
1	063120	Blow down vessel	1
4	000036	Hexagon head screw	4
5	030744	Plug	1
6	003115	Lock washer	4
7	004641	Union	1
8	004998	Union	1
9	006216	Union	2
12	008663	Pipe	4
17	065478	Drain hose	1
18	006215	Union	1



5.30

064018/* Temperature monitoring unit



STANDARD ASSEMBLIES

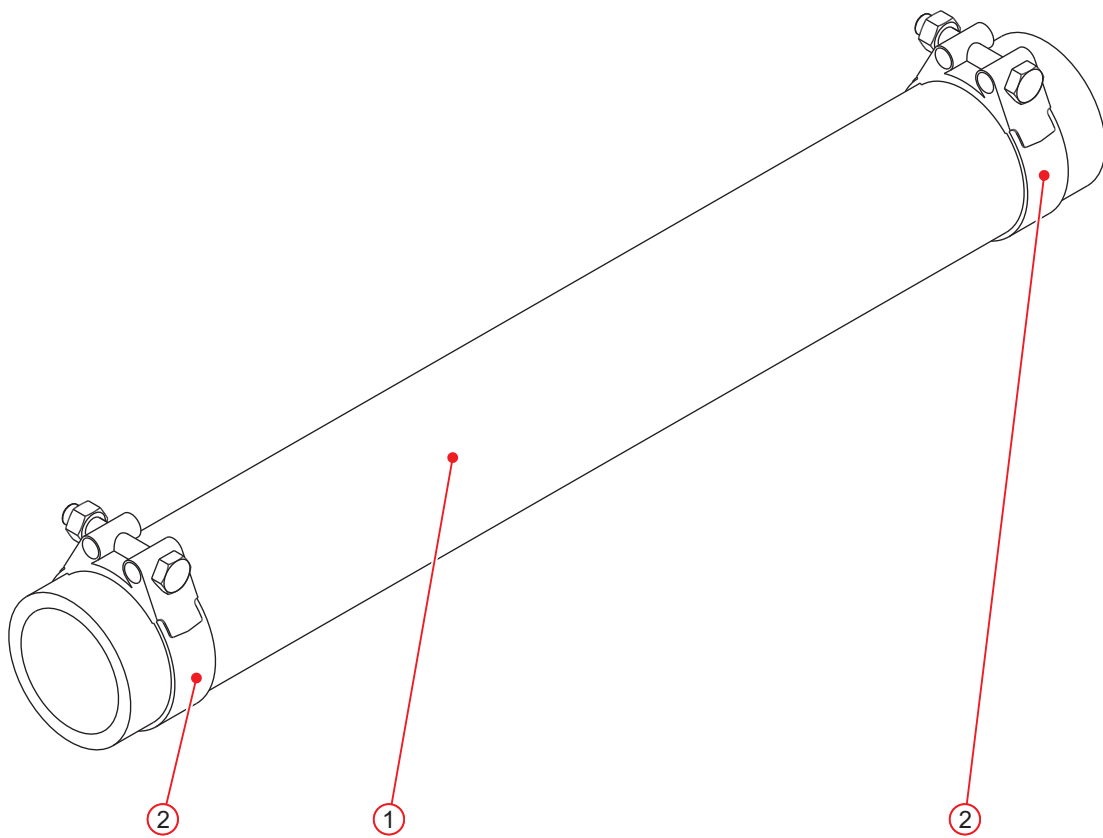
064018/* Temperature monitoring unit with temperature sensor

Item no.	Part no.	Designation	Quantity
1	039319	Temperature sensor	1
2	039888	Cable socket, straight	1
	039889	Optional instead of 039888: Angled cable socket	1
3	005001	Ring gasket	1
4	068616	Reducing union	1
5	005009	Ring gasket	1
Optionally with temperature switch			
6	035468	Temperature switch	1
7	000410	Socket head cap screw	2
8	002144	Washer	2
Optionally with fusible plug			
5	005009	Ring gasket	1
9	060342	Fusible plug	1
/* Specify the serial number when ordering the entire assembly (see compressor nameplate).			



5.31

065478 Drain hose



STANDARD ASSEMBLIES

065478 Drain hose

Item no.	Part no.	Designation	Quantity
1	037941	Hose	1
2	037942	Clamp	2



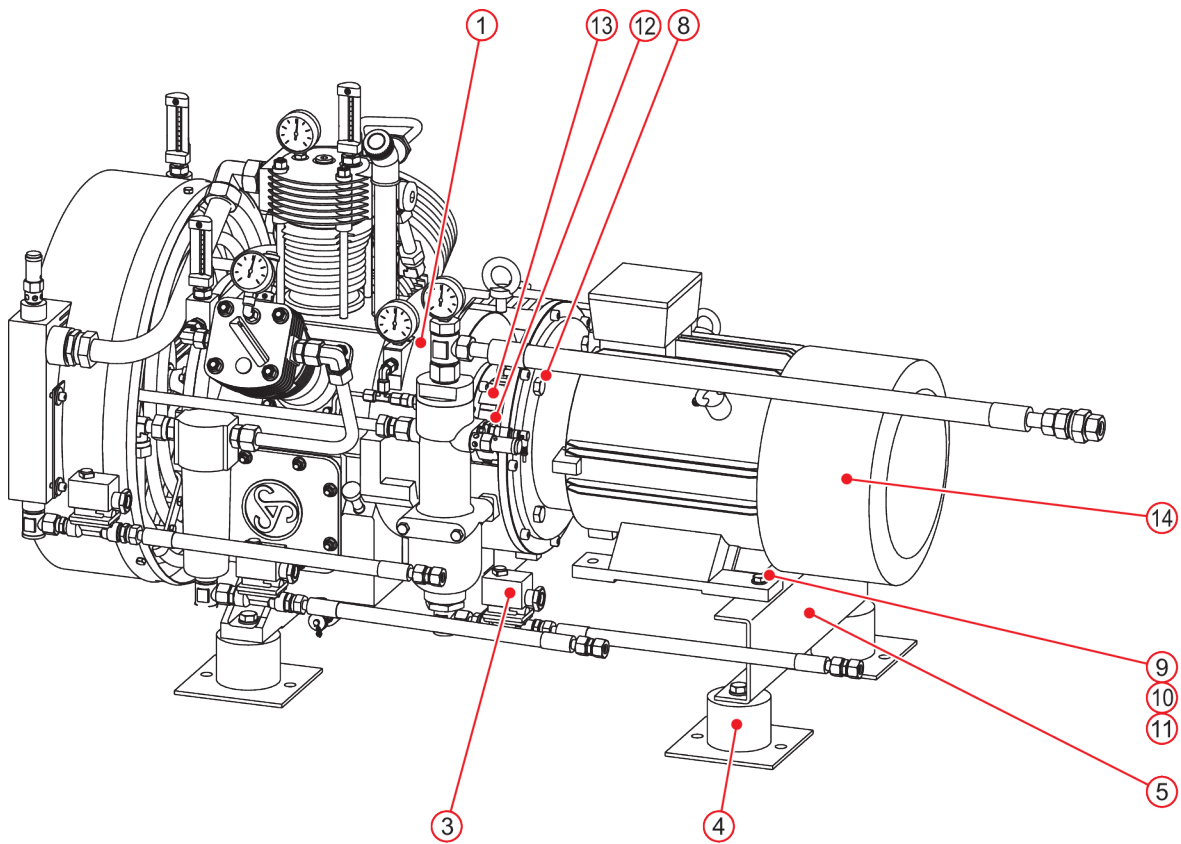
6

Optional assemblies



6.1

**064285 Compressor unit WP81L
without condensate collection con-
tainer**



OPTIONAL ASSEMBLIES

064285 Compressor unit WP81L without condensate collection container

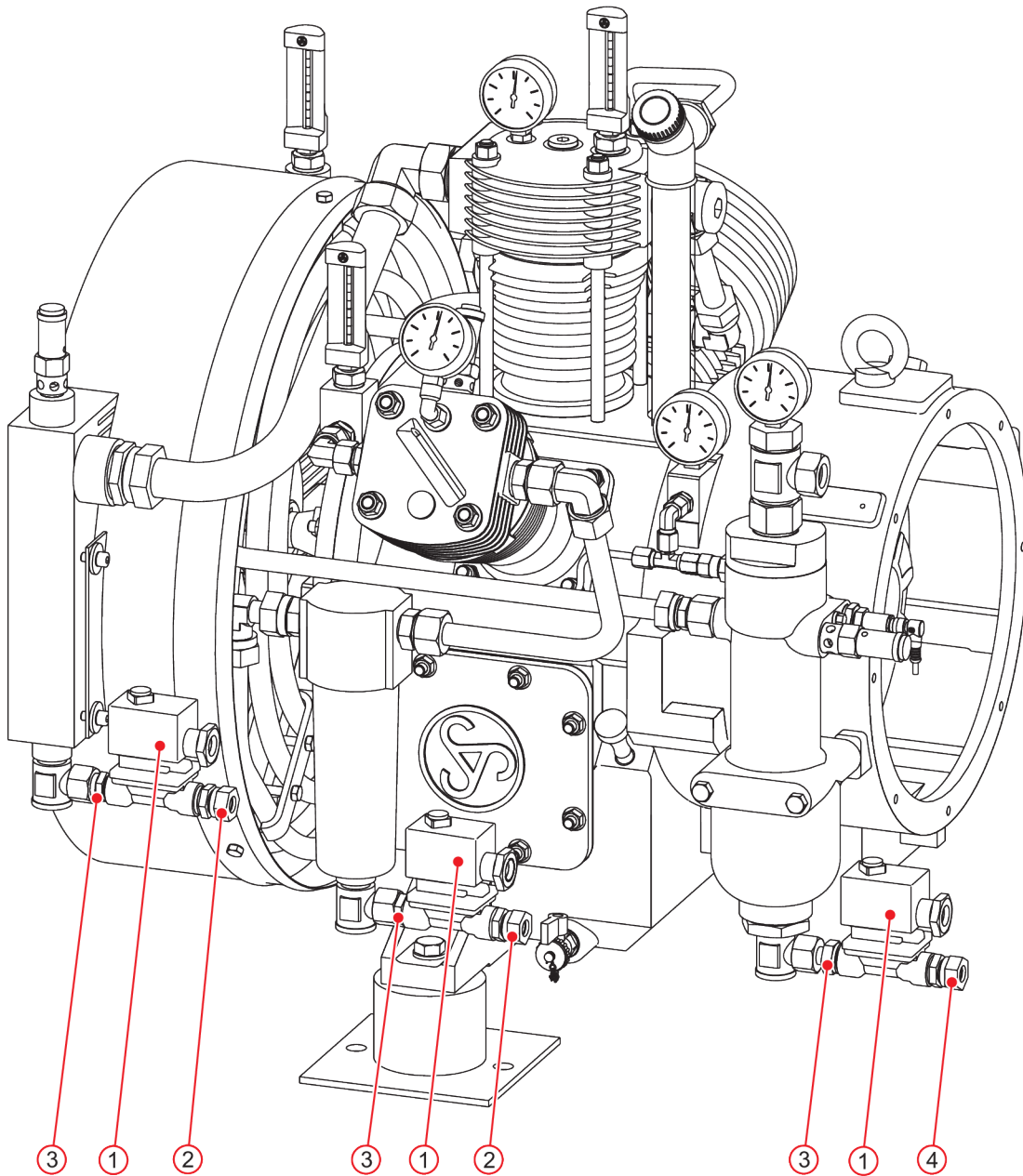
Item no.	Part no.	Designation	Quantity
1	064081	Compressor WP81L	1
3	064269	Automatic drainage system	1
4	064283	Anti-vibration resilient mount	1
5	064097	Channel section	1
8	000184	Hexagon head screw	4
9	000155	Hexagon head screw	2
10	001620	Hexagon nut	2
11	002161	Washer	4
12	037321	Standard-hub	1
13	033494	Flexible coupling element	1
14	¹⁾	Electric motor	1

¹⁾ The part number for this assembly varies according to the order.



6.2

064269 Automatic drainage system



OPTIONAL ASSEMBLIES

064269 Automatic drainage system

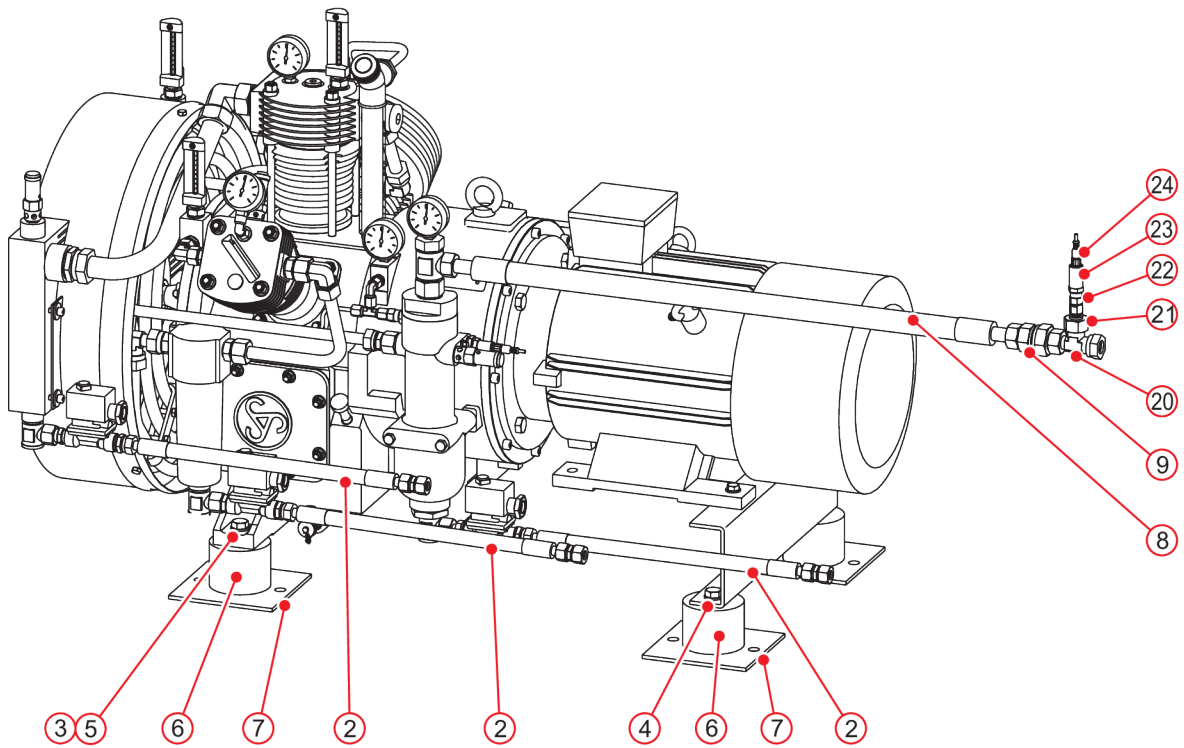
Item no.	Part no.	Designation	Quantity
1 ¹⁾	¹⁾	Solenoid drain valve	3
2	004641	Union	2
3	006455	Stub adaptor	3
4	066888	Flow control	1

¹⁾ The part number varies according to the order.



6.3

064283/* Anti-vibration resilient mount



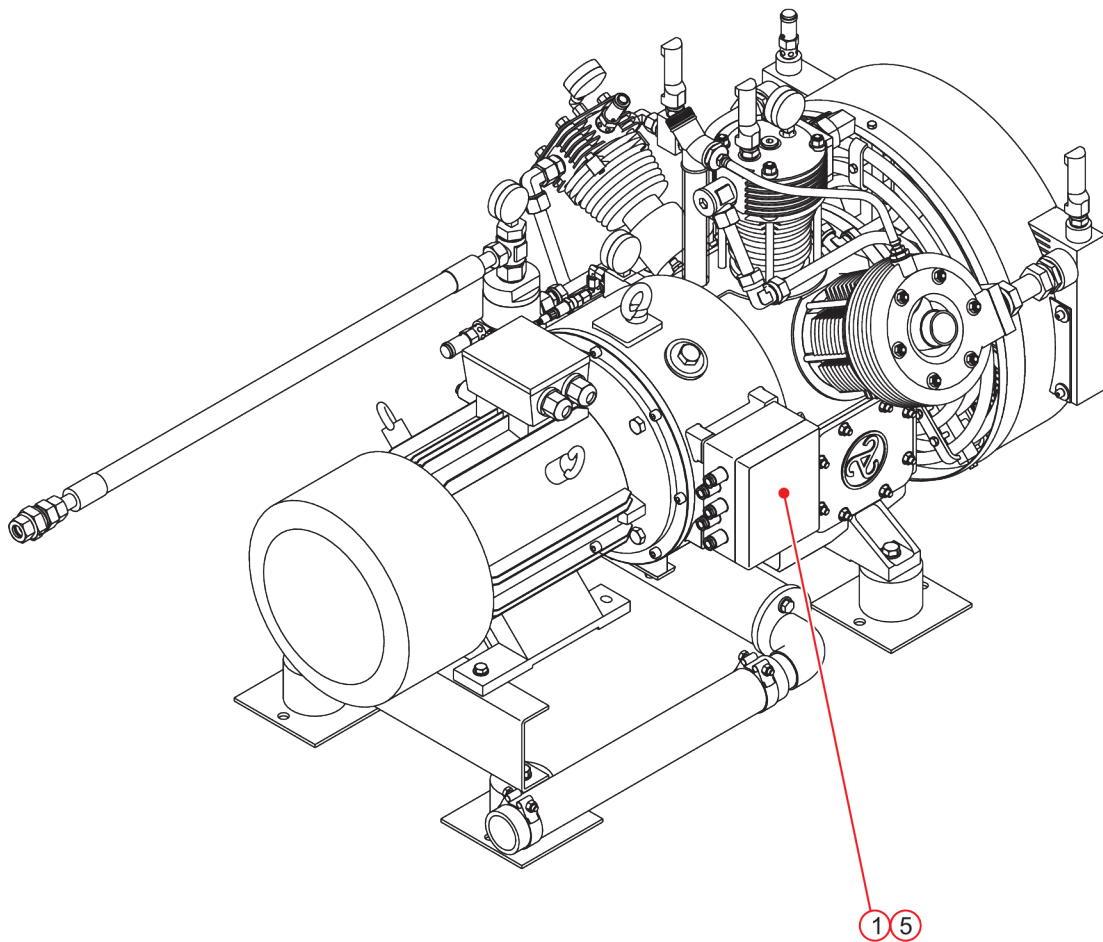
OPTIONAL ASSEMBLIES

064283/* Anti-vibration resilient mount			
Item no.	Part no.	Designation	Quantity
2	061002	Hose line	3
3	000069	Hexagon head screw	2
4	005259	Hexagon head screw	2
5	002166	Washer	2
6	031149	Elastic element	4
7	037172	Ground plate	4
8	033222	High pressure hose	1
9	033489	Non-return valve	1
20 ¹⁾	035780	Union	1
21 ¹⁾	035611	Union	1
22 ¹⁾	037281	Union	1
23 ¹⁾	039317	Final pressure sensor	1
24 ¹⁾	039888	Cable socket, straight	1
	039889	Optional instead of 039888: Angled cable socket	1
¹⁾ Item not required if a final pressure switch is supplied.			
/* Specify the serial number when ordering the entire assembly (see compressor nameplate).			



6.4

063391 Compressor terminal box assembly



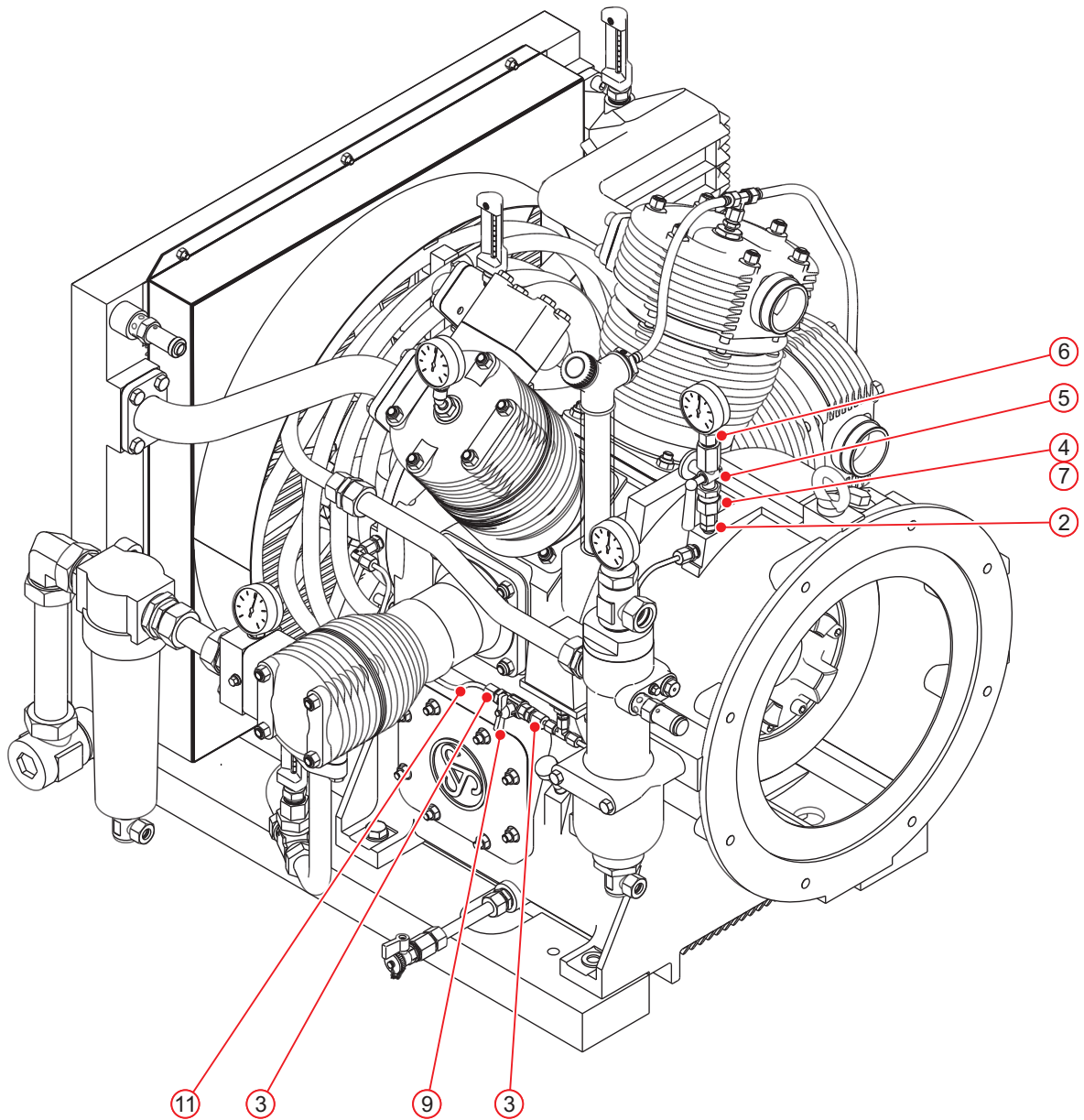
OPTIONAL ASSEMBLIES

063391 Compressor terminal box assembly			
Item no.	Part no.	Designation	Quantity
1	091028	Compressor terminal box	1
5	000421	Socket head cap screw	4



6.5

065641 Oil pressure test valve



OPTIONAL ASSEMBLIES

065641 Oil pressure test valve			
Item no.	Part no.	Designation	Quantity
2	065648	Stub adaptor	1
3	004598	Union	2
4	030532	Union	1
5	036052	Test valve	1
6	035906	Adapter	1
7	034791	Ring gasket	1
9	037036	Ball valve	1
11	008633	Pipe	1



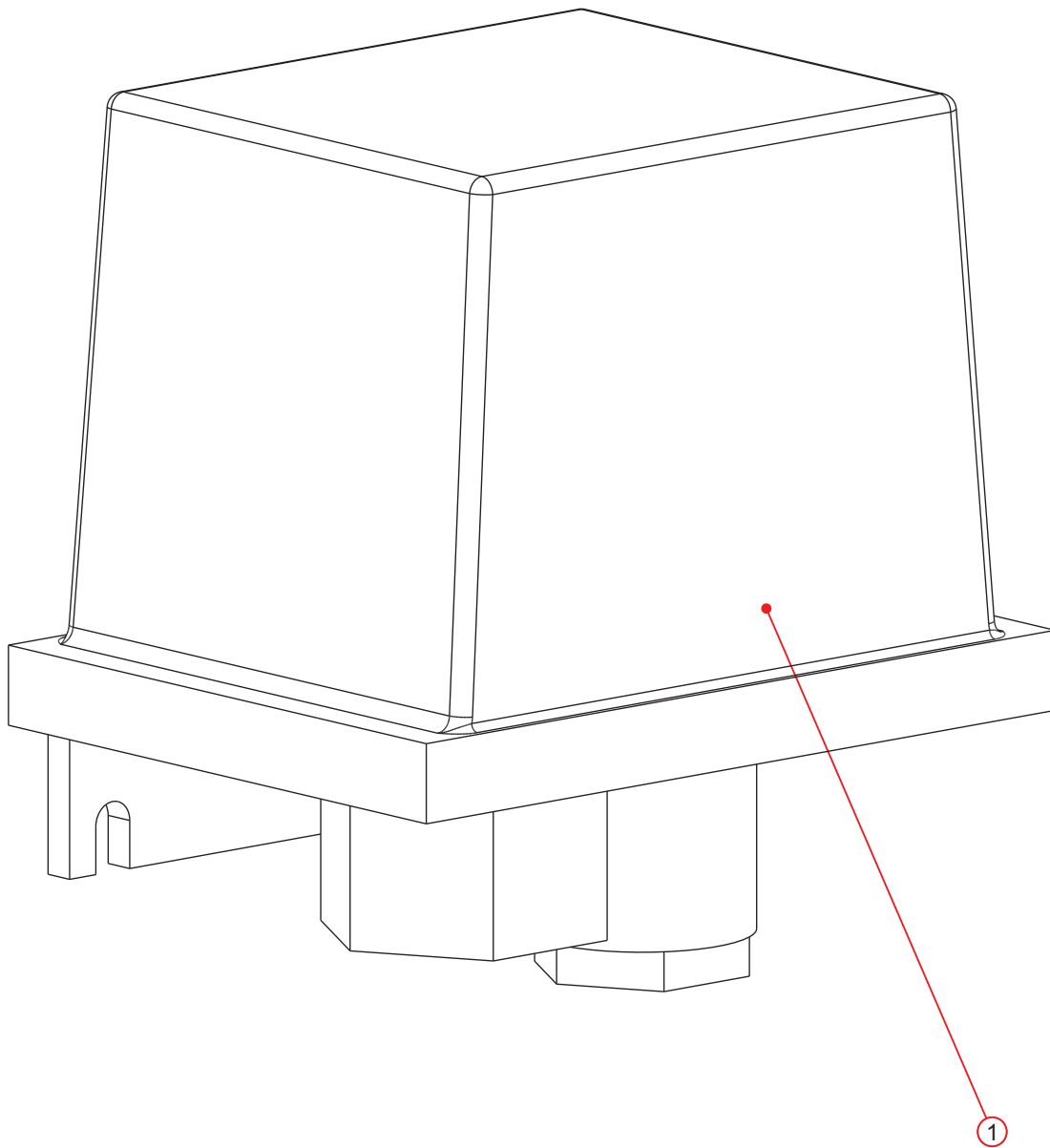
7

Optional loose accessories



7.1

035222 Final pressure switch 2 - 32 bar



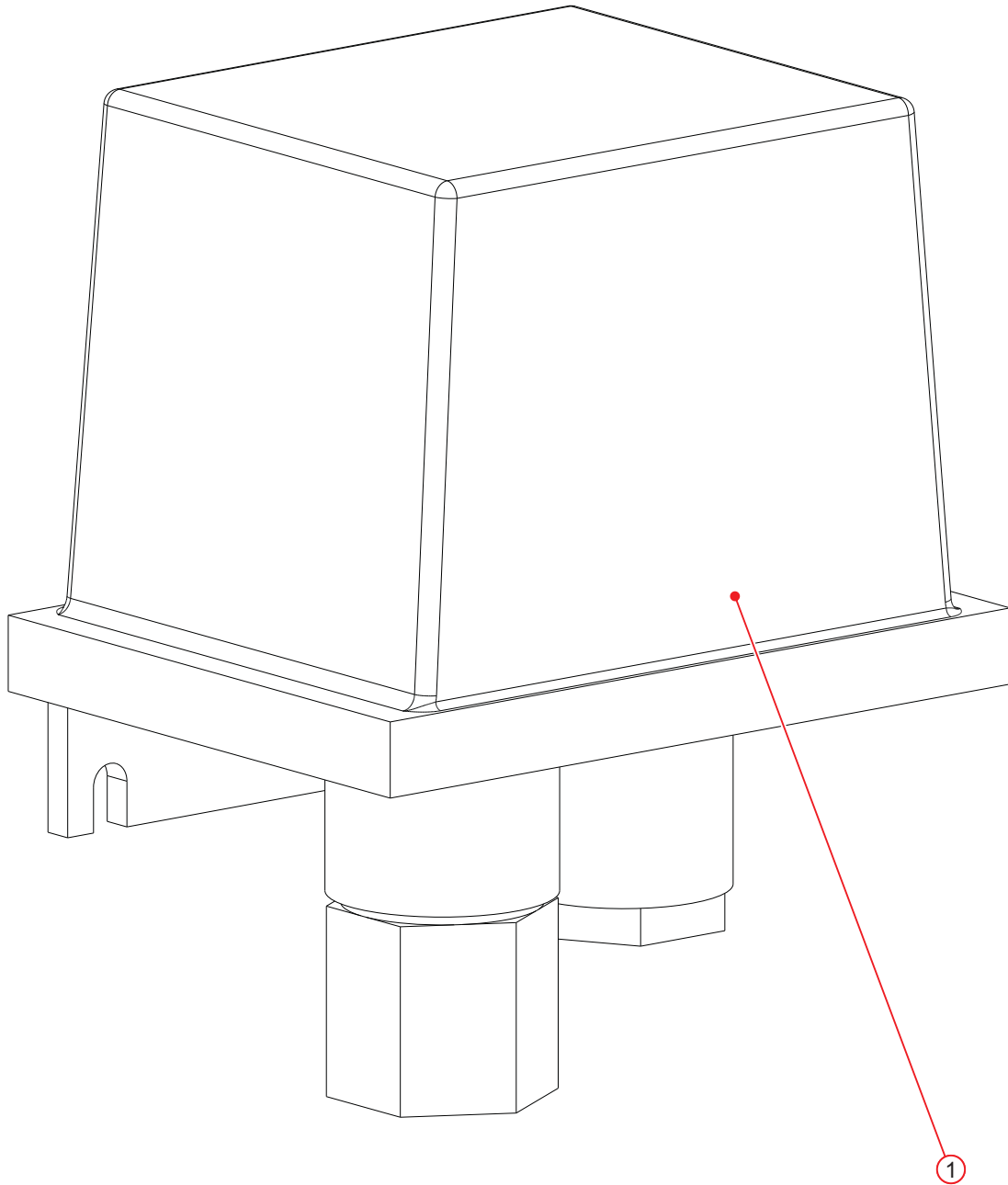
OPTIONAL LOOSE ACCESSORIES

035222 Final pressure switch 2 - 32 bar			
Item no.	Part no.	Designation	Quantity
1	035222	Final pressure switch	1



7.2

035223 Final pressure switch 8 - 60 bar



OPTIONAL LOOSE ACCESSORIES

035223 Final pressure switch 8 - 60 bar			
Item no.	Part no.	Designation	Quantity
1	035223	Final pressure switch	1



8 Index

1, 2, 3 ...

000009 Hexagon head screw	66	002161 Washer	14, 78
000028 Hexagon head screw	44	002166 Washer	68, 82
000036 Hexagon head screw	70	002543 Nose ring	36
000066 Hexagon head screw	68	002552 Nose ring	34
000069 Hexagon head screw	68, 82	002585 Slotted oil control ring	34
000117 Hexagon head screw	24	002662 Rectangular ring	36
000122 Hexagon head screw	48	002748 Rectangular ring	34
000123 Hexagon head screw	48	002976 Circlip	32
000147 Hexagon head screw	56	003114 Lock washer	44, 48
000153 Hexagon head screw	24	003115 Lock washer	70
000155 Hexagon head screw	14, 78	003438 Ring gasket	60
000184 Hexagon head screw	14, 78	003496 Ring gasket	58, 60
000188 Hexagon head screw	24	004458 Dowel pin	24
000270 Lifting eye	20	004598 Union	86
000410 Socket head cap screw	72	004635 Union	20
000421 Socket head cap screw	84	004641 Union	64, 70, 80
000452 Socket head cap screw	44	004647 Union	46, 52
000497 Socket head cap screw	46	004652 Union	44
000499 Socket head cap screw	16	004666 Union	44, 46
000970 Plug	60	004998 Union	70
000972 Plug	40	005001 Ring gasket	20, 66
001009 Plug	20	005009 Ring gasket	20, 40, 46, 54, 56, 66, 72
001007 Plug	58	005006 Ring gasket	66
001021 Plug	20	005016 Ring gasket	42, 44, 56
001064 Hexagon nut	62	005023 Ring gasket	56
001411 Stud	20	005027 Ring gasket	44
001517 Stud	42	005259 Hexagon head screw	82
001620 Hexagon nut	14, 42, 78	006000 Union	52
001621 Hexagon nut	14	006002 Union	50
001667 Locking plate	24	006187 Union	44, 56
001672 Locking plate	62	006190 Union	44
001925 Fitted key	62	006215 Union	70
001942 Fitted key	60	006216 Union	70
001982 Fitted key	24	006219 Union	46
002020 Hexagon nut	20	006221 Union	44, 50
002031 Hexagon nut	20	006228 Union	44
002098 Hexagon nut	20	006266 Union	66
002144 Washer	66, 72	006380 Reducing union	54
		006385 Reducing union	56
		006387 Reducing union	56



006390 Union	58	035520 O-ring	22
006452 Stub adaptor	46	035611 Union	68, 82
006455 Stub adaptor	64, 80	035780 Union	68, 82
007123 Shaft seal	20	035824 Filler cap	54
008633 Pipe	66, 86	035906 Adaptor	86
008663 Pipe	70	036041 Hexagon head screw	58
012512 Taper faced compression ring	32	036052 Test valve	86
030082 Final pressure switch	66	036107 Needle roller bearing	26, 32
030340 O-ring	44	036108 Needle roller bearing	28, 30, 34, 36
030510 Union	66	036112 Circlip	34, 36
030532 Union	86	036171 O-ring	58
030744 Plug	70	036345 Flange hub	16
030752 Safety valve	56	036359 Gearwheel	62
030831 Shaft seal	20	036360 Oil pump housing	62
031149 Elastic element	68, 82	036896 Oil strainer	20
031881 Piston assembly	32	037036 Ball valve	86
031881 Piston compression stage 1	18	037076 Dipstick	22
031883 Gudgeon pin	32	037137 Y-piece	54
031901 Nose ring	32	037157 Valve	38
031902 Double bevelled oil control ring	32	037160 Adaptor	66
031905 Union	56	037172 Ground plate	68, 82
033017 Reducing union	66	037211 Cooler	44
033087 Reducing union	54	037217 Stud	20
033215 Cylindrical roller bearing	24	037218 Stud	20
033222 High pressure hose	68, 82	037221 Condensate separator	44
033223 Temperature gauge	66	037281 Union	68, 82
033224 Safety valve	44	037321 Standard-hub	14, 78
033489 Non-return valve	68, 82	037526 O-ring	42
033494 Flexible coupling element	14, 78	037609 Washer	44
033502 Fan	24	037941 Hose	74
033704 Union	66	037942 Clamp	74
033714 Safety valve	42	038096 Cutting ring	44
033717 Stud	20	038264 Pressure gauge angle	66
033952 Pipe insulation	54	038279 Pressure gauge	66
034132 Union	66	038280 Pressure gauge	66
034612 Low pressure hose	54	038281 Pressure gauge	66
034791 Ring gasket	86	038282 Pressure gauge	66
034983 Valve	40	038401 Cutting ring	46
035061 Ring gasket	66	038919 Oil drain valve	20
035222 Final pressure switch	90	038920 Stub adaptor	54
035223 Final pressure switch	92	039316 Oil pressure sensor	66
035468 Temperature switch	72	039317 Final pressure sensor	68, 82

039319 Temperature sensor	72	063121 Condensate separator	56, 58
039547 Air filter	38	063228 Separator housing	58
039548 Filter element	38	063229 Separator insert	58
039888 Cable socket	66	063391 Compressor terminal box assembly . .	84
039888 Cable socket, straight	68, 72, 82	063748 Gasket	20
039889 Cable socket, angled	68, 72, 82	064018 Temperature monitoring	72
040300 Ear clamp	54	064042 Clamp	48
040795 O-ring	62	064048 Gasket	38
040889 Twinkle Valve®	42	064050 Gasket	46
041061 V-belt pulley	20	064051 Gasket	42
041550 Stud	20	064054 Washer	24
051883 Crankcase inspection cover	20	064064 Dipstick	20
053713 Connecting rod bolt	26, 28, 30	064064 Dipstick assembly	22
056235 Low tolerance o-ring	38	064075 Clamp	48
056318 Gasket	60	064079 Bearing bracket	20
056590 Connecting rod bearing	26, 28, 30	064081 Compressor WP81L	14, 16, 18, 78
056730 Gearwheel	60	064082 Cylinder	40
056887 Washer	24	064084 Cylinder	42
057916 Pressure relief valve	60	064085 Cylinder head	40
060266 Gasket	40	064087 Cylinder	38
060342 Fusible plug	72	064091 Flange	46
061002 Hose line	82	064092 Stand	48
062093 Piston	36	064094 Gasket	40
062328 Baffle cone	58	064095 Gasket	20
062404 Piston	34	064097 Channel section	14, 78
062469 Gudgeon pin	36	064098 Gearwheel	60
062524 Gudgeon pin	34	064099 Cooler	50
062525 Piston assembly	34	064100 Cooler	52
062525 Piston compression stage 2	18	064102 Fan cover	44
062908 Oil pump gearwheel	62	064105 Condensate separator	16
062936 Gasket	42	064105 Condensate separator assembly	56
062981 Connecting rod assembly	30	064106 Crankcase	16
062981 Connecting rod compression stage 3	18	064108 Piston assembly	36
062982 Connecting rod	30	064108 Piston compression stage 3	18
063059 Gasket	38	064109 Cylinder assembly	38
063100 Connecting rod	26	064109 Cylinder with valve head compres-	
063101 Connecting rod	28	sion stage 1	18
063102 Connecting rod assembly	26	064110 Cylinder assembly	40
063102 Connecting rod compression stage 1	18	064110 Cylinder with valve head compres-	
063103 Connecting rod assembly	28	sion stage 2	18
063103 Connecting rod compression stage 2	18	064111 Cylinder assembly	42
063120 Blow down vessel	70		



064111 Cylinder with head and valve compression stage 3	18
064112 Cooler	16
064112 Cooler assembly (1/3)	44
064112 Cooler assembly (2/3)	46
064112 Cooler assembly (3/3)	48
064113 Cooler	48, 50
064114 Cooler	48, 52
064115 Pipe	44
064116 Pipe	44
064117 Pipe	46
064118 Compressor monitoring and protection	16, 66
064119 Oil pump drive	18, 60
064134 Cylinder head	38
064135 Cylinder head	42
064137 Flange	16, 18
064138 Flywheel	24
064269 Automatic drainage system	78
064283 Anti-vibration resilient mount	78, 82
064284 Crankshaft	18
064284 Crankshaft assembly	24
064285 Compressor unit WP81L without condensate collection container	78
064302 Crankcase vent	16, 54
064303 Crankcase	20
064323 Crankshaft	24
064326 Adaptor straight tube to boss	66
064342 Pipe	48
064458 Automatic drainage system	14
064523 Pipe adaptor	54
064618 Pipe	46
064619 Pipe	44
065203 Compressor unit WP81L	14
065248 Anti-vibration resilient mount	14, 68
065478 Drain hose	70, 74
065641 Oil pressure test valve	86
065648 Stub adaptor	86
066888 Flow control	64, 80
090650 Piston	32
091028 Compressor terminal box with cable harness	84
091318 Condensate collection container	14, 70

092912 Oil pump cover	62
092936 Gasket	60
092937 Oil pump	60, 62
093205 Pipe	64
093206 Pipe	64
093207 Pipe	64

O

Order-specific assemblies

solenoid drain valve	64, 80
----------------------	--------

Order-specific assembly

electric motor	14, 78
----------------	--------

S

Sauer-Service	9
---------------	---

Spare parts catalogue	7
-----------------------	---